

ADVANCE EMI Suppression 440Vac Capacitors- X2 type

GENERAL :

- ◆ Non Polar
- ◆ Self Healing
- ◆ Low ESR
- ◆ High Insulation Resistance
- ◆ Low Losses

Class X2 capacitors are used for Interference Suppression and across-the-line applications. Suitable for use in situations where failure of the capacitor would not lead to danger of electric shock.

APPLICATIONS :

- ◆ RFI Filters
- ◆ Switch Mode Power Supplies
- ◆ Power Line Frequency Applications
- ◆ Measuring Instruments

STYLES :

Type Code : MKP-5 / X2 : Axial Lead MKP-4 / X2 : Radial Lead

STANDARDS : IEC- 384-14

GENERAL TECHNICAL DATA

Dielectric : Metallised Polypropylene Film
Winding : Non-Inductive type
Leads : Tinned wire
Climatic Category : 40/85/21
Marking : Manufacturer's name, capacitance, Tolerance, rated voltage, style code, manufacturing date code and batch no.
Temperature Range : -40 °C to 85 °C

ELECTRICAL CHARACTERISTICS

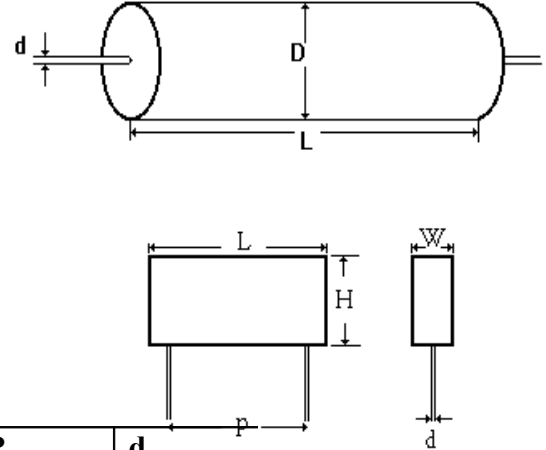
Rated Voltage : 415/440Vac; 50Hz
Capacitance Range : 0.022 μ F to 1.0 μ F
Tolerance : $\pm 1\%$, $\pm 2\%$, $\pm 5\%$, $\pm 10\%$, $\pm 20\%$
Tan Delta (C < 1 μ F) : 0.001 at 1 KHz
Insulation Resistance at 100Vdc : 5,000 M Ω * μ F
15000M Ω max.
DC Test Voltage X2 : 4.3 times rated ac voltage
Pulse Rise Time : 40 to 100 V/ μ S
Impulse Voltage X2 : ≤ 2.5 kV, as per IEC 384-14
(for rated voltage ≥ 250 Vac)

ADVANCE CAPACITORS

INTERFERENCE SUPPRESION CLASS X2

Dimensions:

Type	Capacitance in μF	D	L	d
MKP-5 X2 Axial	0.1	10.5	27	0.8
	0.15	11	27	0.8
	0.22	11	32	0.8
	0.33	13	32	0.8
	0.47	14.5	32	0.8
	0.68	16	32	0.8
	1.00	16	45	0.8



Type	Capacitance in μF	W	L	H	P	d
MKP-4 X2 Radial	0.022	7.5	18.5	13.5	15.2	0.6
	0.1	8.0	18.0	15.0	15.2	0.8
	0.15	8.5	26.5	17.0	22.5	0.8
	0.22	10.0	26.5	18.5	22.5	0.8
	0.33	11.0	32.0	20.0	27.5	0.8
	0.47	15.5	32.0	24.5	27.5	0.8
	0.68	15.5	32.0	24.5	27.5	0.8
	1.00	14.0	44.0	24.0	40.0	0.8

Note: Other capacitance values available on request

Registered Office and Factory:

Advance Components and Instruments Pvt Ltd
 3A-3A/1, Belavadi Industrial Area ,Mysore – 570018 KARNATAKA
 Phone: +91 821 2402301 / 2402307 /2403058
 Mobile & WhatsApp: +91 8073111025
 E-mail : advcaps@gmail.com / enquiries@advancecapacitors.com
 Website: www.advance-capacitors.com