

## ADVANCE Conduction Cooled Capacitors CC-3 series

### General:

- ◆ Polypropylene Dielectric
- ◆ Self Healing
- ◆ Conduction Cooled
- ◆ RoHS Compliant available
- ◆ Non-polar
- ◆ Flame retardant UL94V0

### Applications:

- ◆ Induction heating
- ◆ Medical Electronics
- ◆ Resonant Circuits

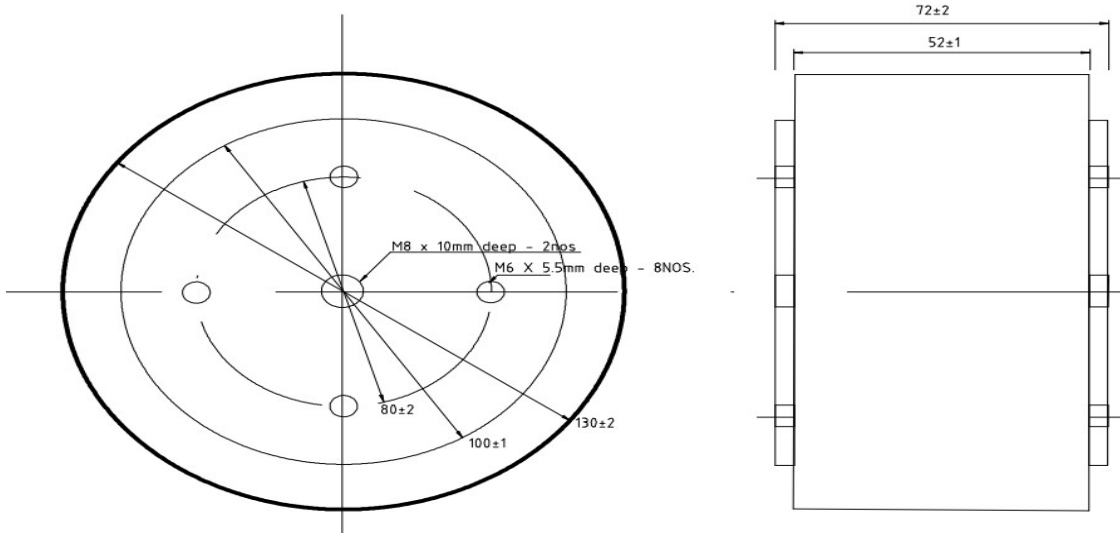
### Specifications:

Capacitance range	: 3 $\mu$ F to 85 $\mu$ F
Tolerance	: $\pm$ 10%
Rated Voltage	: up to 1000Vrms
Current rating	: up to 1400Arms
Temperature Range	: -40°C to +85°C
Test voltage between terminals	: 1.2 x Vrms, 50Hz
Insulation Resistance	: $\geq$ 5000s ( $\mu$ F x M $\Omega$ )



### Drawing :

All dimensions in mm, not to scale



### Registered Office and Factory:

Advance Components and Instruments Pvt Ltd  
3A-3A/1, Belavadi Industrial Area ,Mysore – 570018 KARNATAKA  
Phone: +91 821 2402301 / 2402307 /2403058  
Mobile & WhatsApp: +91 8073111025  
E-mail : [advcaps@gmail.com](mailto:advcaps@gmail.com) / [enquiries@advancecapacitors.com](mailto:enquiries@advancecapacitors.com)  
Website: [www.advance-capacitors.com](http://www.advance-capacitors.com)

**Standard Capacitor Range:**

Capacitance	Rated RMS Voltage	Peak Voltage	Max. Current	Max. Power	Working Frequency	Dimensions in mm	
$\mu\text{F}$ @1KHz	Vrms	Vpk	Irms, A	kvar	Range in KHz	D $\pm$ 2	H $\pm$ 1
3	1000	1410	700	700	30 to 35	130	52
5	1000	1410	700	700	20 to 29	130	52
9	900	1272.6	800	700	15.3 to 20	130	52
12	850	1201.9	800	700	12.9 to 19	130	52
14	850	1201.9	800	700	11 to 16	130	52
19	800	1131.2	900	700	9.2 to 12	130	52
25	700	989.8	1000	700	9 to 10.2	130	52
30	700	989.8	1000	700	8 to 10	130	52
46	600	848.4	1100	700	6.7 to 7.1	130	52
63	600	848.4	1100	700	4.5 to 5.3	130	52
80	500	707	1400	700	5.6	130	52
85	500	707	1400	700	5.2	130	52

**Registered Office and Factory:**

Advance Components and Instruments Pvt Ltd  
3A-3A/1, Belavadi Industrial Area ,Mysore – 570018 KARNATAKA  
Phone: +91 821 2402301 / 2402307 /2403058  
Mobile & WhatsApp: +91 8073111025  
E-mail : [advcaps@gmail.com](mailto:advcaps@gmail.com) / [enquiries@advancecapacitors.com](mailto:enquiries@advancecapacitors.com)  
Website: [www.advance-capacitors.com](http://www.advance-capacitors.com)