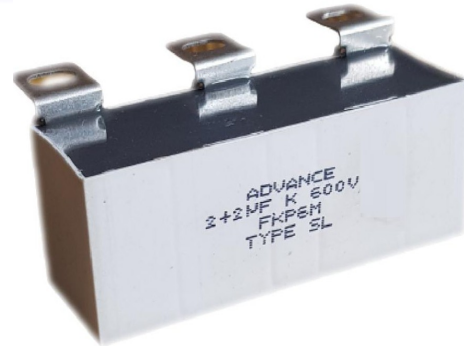


**DZS series Dual IGBT Snubber capacitors**



**General Details**

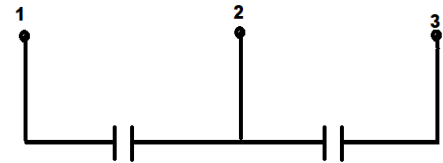
- ◆ Polypropylene Dielectric , Low Loss
- ◆ Self- Healing
- ◆ Flame Retardant UL94V0, RoHS compliant Housing
- ◆ Series Construction , high dv /dt rating
- ◆ Filled with thermosetting Resin / PU resin
- ◆ Snubber / Thyristor Protection
- ◆ High Pulse Applications
- ◆ Low ESR
- ◆ Voltage Ratings upto 2500Vdc
- ◆ Tolerance ±5%, ±10%

**Specifications:**

Temperature Range: -55°C to +100°C  
Insulation Resistance : 5000 MΩ \* μF  
Test voltage between terminals: 1.5 x rated DC voltage for 10S  
Test voltage between terminals & case: 3Kvac, 50Hz for 10S  
Climatic Category : 40/85/56  
Terminals : Tinned Copper Clips

**Internal connection**

**Capacitors in series**

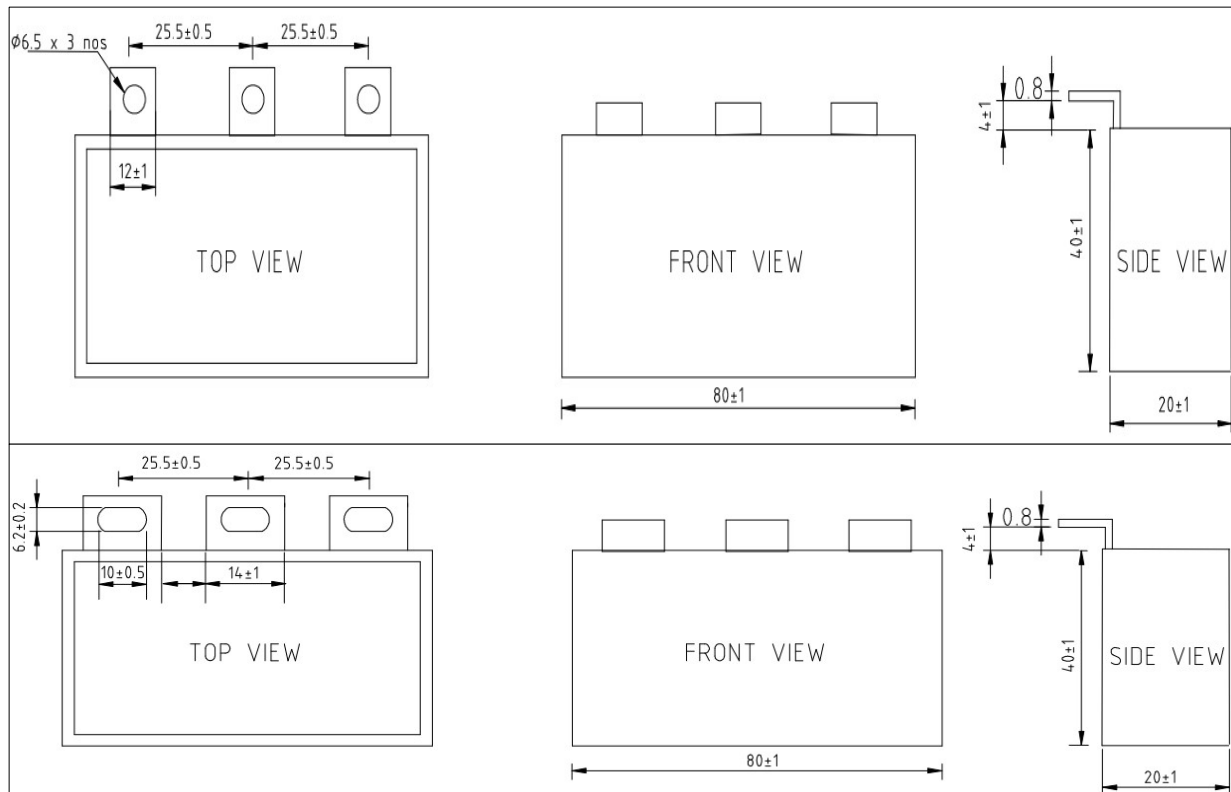


Capacitance μF @1kHz	Rated Voltage		Max. Current @100kHz, 70°C Irms, A	dv/dt rating V/μS	Peak Current Ipk, A	W ±1	L ±1	H ±1	Terminal Style
	Vdc	Vac 50Hz							
0.10 + 0.10	2500	750	15	1000	100	20	80	40	SL/RL
0.22 + 0.22	2000	600	17	1000	200	20	80	40	SL/RL
0.33 + 0.33	2000	600	18	1000	330	20	80	40	SL/RL
0.47 + 0.47	1500	500	19	1000	470	20	80	40	SL/RL
0.68 + 0.68	1200	400	20	1000	680	20	80	40	SL/RL
1.00 + 1.00	1000	350	20	1000	1000	20	80	40	SL/RL
1.20 + 1.20	1000	350	22	1000	1200	20	80	40	SL/RL
1.70 + 1.70	700	250	24	1000	1740	20	80	40	SL/RL
2.00 + 2.00	600	200	25	1000	2000	20	80	40	SL/RL

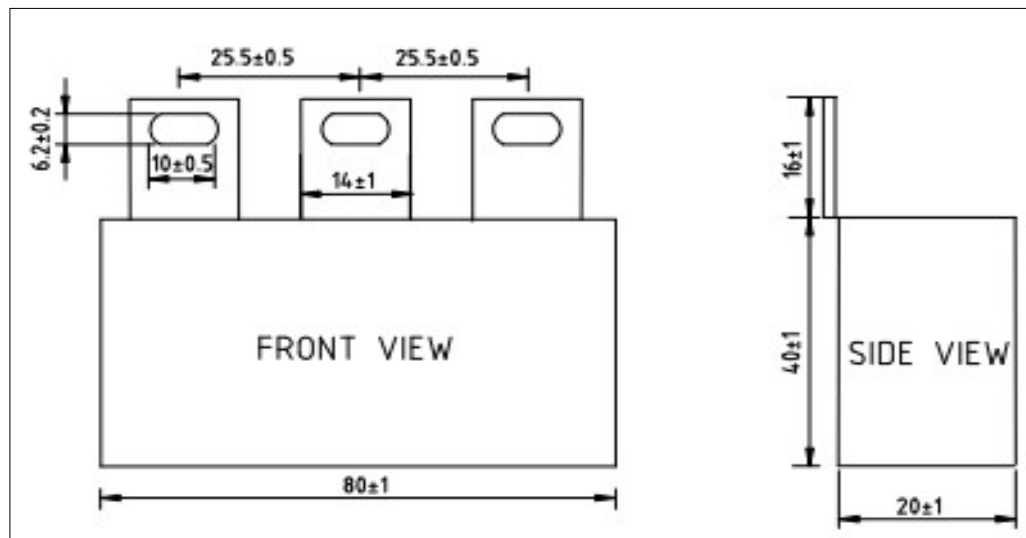
Note: Other capacitance & current rating , terminals pitch, custom made capacitors available on request

**DZS series Dual IGBT Snubber capacitors**

**SL type**



**RL type:**



## FKP-6M series IGBT SNUBBER CAPACITORS

### GENERAL :

- ◆ Non Polar
- ◆ Self Healing
- ◆ Low ESR, ESL
- ◆ Low Losses
- ◆ High Insulation Resistance
- ◆ Suitable for High Frequencies

Snubbers are high peak current capacitors used in power semiconductor circuits for enrage conversion and used to suppress or attenuate high voltage peaks to protect semiconductor devices.

**Advance** snubber capacitors are made using internationally accepted Series Metallised Technology for self-healing property. Advance snubber capacitors offer high load capability with double sided metallization (type MKP) and /or film/foil metallization (FKP). Aluminium foil electrodes are used for high peak current capacities. Capacitor elements are non-inductive and encapsulated in a plastic box and potted with epoxy resin for environmental protection.

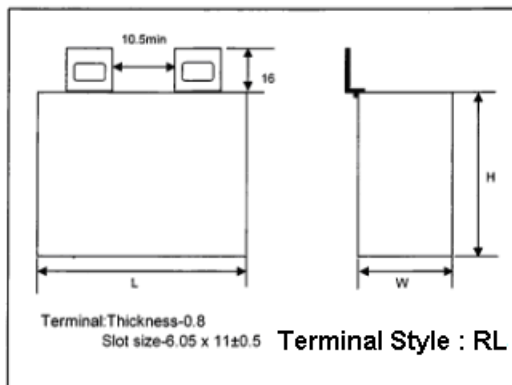
### APPLICATIONS :

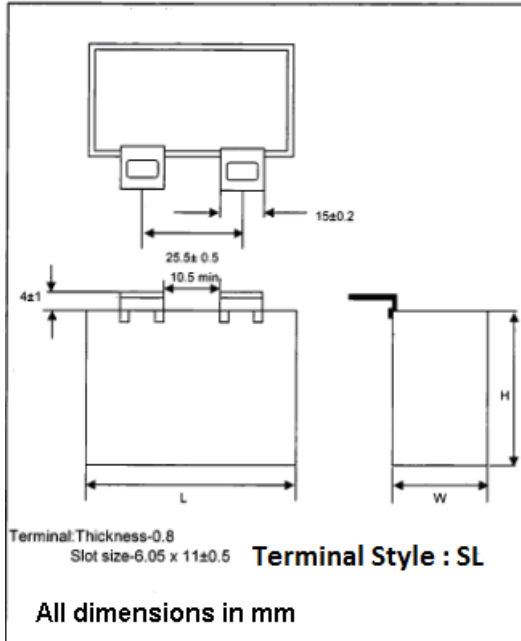
- ◆ IGBT module protection
- ◆ Thyristor protection
- ◆ High pulse applications

**TYPE: FKP-6M** IGBT Module direct mounting type

### SPECIFICATIONS :

Temperature Range : -55 °C to +100 °C  
Tan Delta : 0.0005 at 1 KHz  
Insulation Resistance : 5,000 M  $\Omega$  \*  $\mu$ F  
Test Voltage T/T : 1.6 times rated dc voltage for 10 s  
T/C : 3 kVAC for 60 s  
Climatic Category : 40/85/56  
Tolerance :  $\pm$ 5%,  $\pm$ 10%,  $\pm$ 20%  
Terminals : Tinned Copper Lugs





## Specifications:

Working voltage 1000 Vdc (480Vac at 50Hz)

Capacitance in $\mu\text{F}$	$I_{\text{Peak}}$ in A	$I_{\text{rms}}$ in A	ESR max @ 10kHz in $\text{m}\Omega$	dv/dt $\text{V}/\mu\text{S}$	Case dimension in mm (W x H x L)	Terminal Style
0.10	120	5.6	11.2	2000	17*29*41.5	RL,SL
0.15	180	5.7	10.8	2000	17*29*41.5	RL, SL
0.22	264	6.8	4.0	2000	17*29*41.5	RL, SL
0.33	330	19.7	3.7	2000	17*29*41.5	RL, SL
0.47	470	21.1	3.5	2000	24*38*48	RL, SL
0.68	612	21.3	3.2	1500	24*38*48	RL, SL
1.00	900	26	3.0	1500	24*38*48	RL, SL
2	1200	28.2	2.5	1500	30*45*45	RL,SL
2.20	1320	28.5	2.4	1500	30*45*45	RL,SL
3.00	1800	30	2.0	1500	43*50*54	RL,SL
3.30	1980	30	2.0	1500	43*50*54	RL,SL

**Working voltage 1250 Vdc (550Vac at 50Hz)**

Capacitance in $\mu\text{F}$	$I_{\text{Peak}}$ in A	$I_{\text{rms}}$ in A	ESR max @ 10kHz in $\text{m}\Omega$	dv/dt $\text{V}/\mu\text{S}$	Case dimension in mm (W x H x L)	Terminal Style
0.10	160	5.6	10.0	2000	17*29*41.5	RL,SL
0.15	160	5.7	5.0	2000	17*29*41.5	RL, SL
0.22	330	6.8	4.5	2000	17*29*41.5	RL, SL
0.33	495	19.7	4.0	2000	17*29*41.5	RL, SL
0.47	705	21	3.8	2000	24*38*48	RL, SL
0.68	840	21	3.5	1500	24*38*48	RL, SL
1.00	1200	26	3.0	1500	30*45*45	RL, SL
1.5	1900	26	2.5	1500	30*45*45	RL,SL
2.00	2000	28	2.5	1500	43*50*54	RL,SL
3.00	2000	30	2.0	1500	43*50*54	RL,SL

**Note: Other capacitance values and voltage ratings available on request**

**Specifications:**

**Working voltage 1500 Vdc (630Vac at 50Hz)**

Capacitance in $\mu\text{F}$	$I_{\text{Peak}}$ in A	$I_{\text{rms}}$ in A	ESR max @ 10kHz in $\text{m}\Omega$	dv/dt $\text{V}/\mu\text{S}$	Case dimension in mm (W x H x L)	Terminal Style
0.10	160	5.6	10.0	2000	17*29*41.5	RL,SL
0.15	160	5.7	5.0	2000	17*29*41.5	RL, SL
0.22	330	6.8	4.5	2000	17*29*41.5	RL, SL
0.33	495	19.7	4.0	2000	17*29*41.5	RL, SL
0.47	705	21	3.8	2000	24*38*48	RL, SL
0.68	840	21	3.5	1500	24*38*48	RL, SL
0.75	975	26	3.0	1500	24*38*48	RL, SL
1.00	1200	26	3.0	1500	30*45*45	RL, SL
1.50	1900	26	2.5	1500	43*50*54	RL,SL
2.00	2000	28	2.5	1500	43*50*54	RL,SL
3.0	2000	30	2.5	1500	43*58*54	RL,SL



**ADVANCE COMPONENTS  
AND INSTRUMENTS PVT. LTD.**

Mfrs. of Plastic Film Capacitors & EMI Noise Filters

Registered Office & Factory :  
3A-3A/1, Belavadi Indl Area, Mysore - 570 018. INDIA



ISO 9001 : 2015  
ISO 13485 : 2018

Phone : +91 821 2402307, 2402301, 2403058

E-mail : enquiries@advancecapacitors.com  
advcaps@gmail.com

Website : www.advance-capacitors.com

GSTIN : 29AABCA1720D1ZA

### Working voltage 2000 Vdc (750Vac at 50Hz)

Capacitance in $\mu\text{F}$	$I_{\text{Peak}}$ in A	$I_{\text{rms}}$ in A	ESR max @ 10kHz in $\text{m}\Omega$	dv/dt $\text{V}/\mu\text{S}$	Case dimension in mm (W x H x L)	Terminal Style
0.10	150	8.0	8.4	2000	17*29*41.5	RL,SL
0.15	250	10.0	7.0	2000	17*29*41.5	RL, SL
0.22	330	21.0	4.5	2000	17*29*41.5	RL, SL
0.33	495	22.0	4.1	2000	24*38*48	RL, SL
0.47	700	24.0	4.0	2000	30*45*45	RL, SL
0.68	950	26	3.7	2000	30*45*45	RL, SL
1.00	1300	26	3.2	2000	43*50*54	RL, SL
2.00	2000	28	3.0	2000	43*58*50	RL,SL

**Note: Other capacitance values and voltage ratings available on request**

---