

## ADVANCE DC LINK CAPACITORS (ADC-CPx series)

ADC-CPx Series capacitors available in FR grade plastic case (PBT and Akulon) filled with self-extinguishing FR grade UL94VO resin. Available in both Screw (ADC-CPS) and Flange (ADC-CPF) terminals with integrated bottom clamp for mounting.

### Specifications:

Capacitance Range	: 20 $\mu$ F to 200 $\mu$ F
Rated Voltage range	: 500Vdc to 1800Vdc
Tolerance	: $\pm$ 5% / $\pm$ 10%
Irms Max	: 100A
Dielectric	: Metallised Polypropylene Film
Test voltage between terminals(10s)	: 1.3 x Vn DC
Insulation withstanding voltage between shorted terminals & body	: 4kVrms , 50Hz
ESR	: As low as 0.7m $\Omega$
Temperature Range	: -40 $^{\circ}$ C to +85 $^{\circ}$ C
Climatic Category	: 40/85/21
Standard reference	: IEC 61071
RoHS Compliance	: Yes
Protection	: Protected / Unprotected

Marking

ADVANCE Value,  
Tolerance Voltage,  
Current Part Code  
Mysore – India



# **ADVANCE COMPONENTS AND INSTRUMENTS PVT. LTD.**

Mfrs. of PLASTIC FILM CAPACITORS & EMI NOISE FILTERS

Registered Office & Factory :

3A-3A/1, Belavadi Indl.Area, Mysore - 570 018. INDIA



ISO 9001 : 2015  
ISO 13485 : 2016

Phone : +91 821 2402307, 2402301, 2403058

E-mail : [enquiries@advancecapacitors.com](mailto:enquiries@advancecapacitors.com)  
[advcaps@gmail.com](mailto:advcaps@gmail.com)

Website : [www.advance-capacitors.com](http://www.advance-capacitors.com)

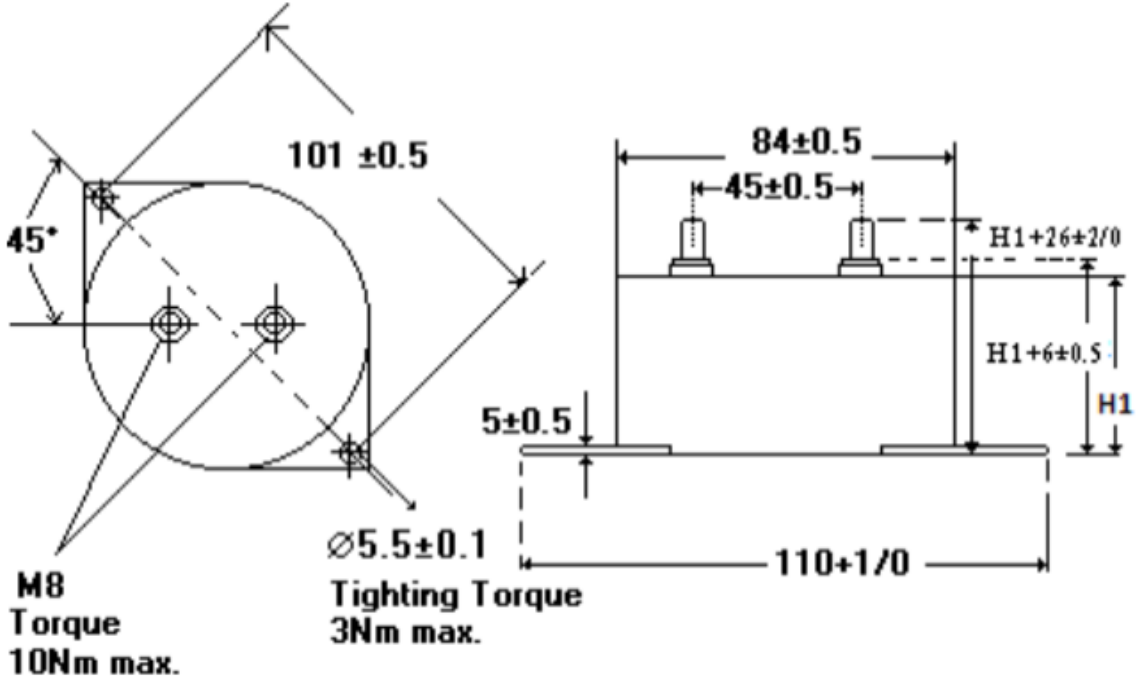
GSTIN : 29AABCA1720D1ZA

## Standard Capacitor Range :

Rated DC Voltage	Capacitance @ 1kHz	Case Size in mm D X H1 ( $\pm 1$ )
500	100 $\mu$ F	84 x 51
	150 $\mu$ F	84 x 51
	200 $\mu$ F	84 x 64
600	100 $\mu$ F	84 x 51
800	20 $\mu$ F	84 x 40
	50 $\mu$ F	84 x 40
	60 $\mu$ F	84 x 40
	66 $\mu$ F	84 x 40
	70 $\mu$ F	84 x 40
	100 $\mu$ F	84 x 51
1000	50 $\mu$ F	84 x 51
	66 $\mu$ F	84 x 64
	100 $\mu$ F	84 x 64
	150 $\mu$ F	84 x 79
1100	75 $\mu$ F	84 x 64
1200	35 $\mu$ F	84 x 51
	50 $\mu$ F	84 x 64
1500	25 $\mu$ F	84 x 51
1800	10 $\mu$ F	84 x 40
1800	18 $\mu$ F	84 x 40

**ADC-CPS type**

**Dimensional Drawing ( in mm)**



**ADC-CPF Type**

