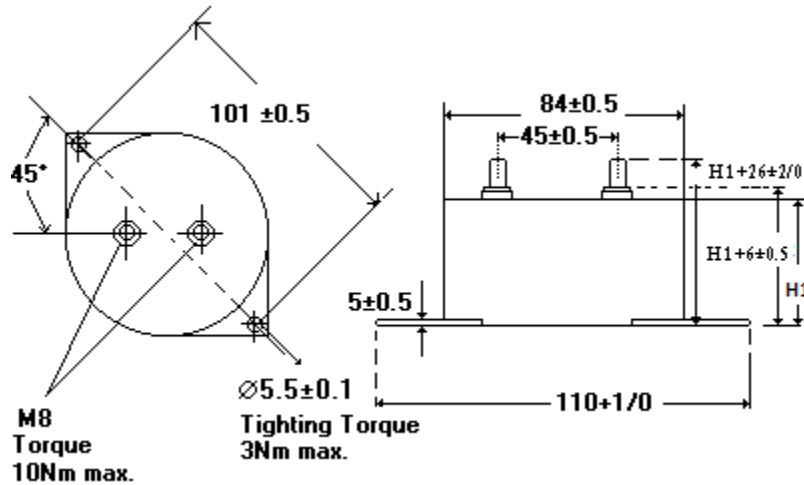


## ADVANCE DC LINK Capacitors

Advance medium power film capacitors are specifically designed for DC filtering, low reactive power.

### Dimensional Drawing ( in mm)



Capacitance / Voltage (V <sub>n</sub> )	H1 in mm	Capacitance / Voltage (V <sub>n</sub> )	H1 in mm
100µF 500Vdc	40±1.0	66µF, 100µF 1000Vdc	64±1.0
150µF 500Vdc	51±1.0	75µF 1100Vdc	64±1.0
100µF 600Vdc	51±1.0	35µF 1200Vdc	51±1.0
200µF 500Vdc	64±1.0	50µF 1200Vdc	64±1.0
50µF, 60µF, 66µf, 70µF 800Vdc	40±1.0	18µF 1500Vdc	40±1.0
100µF 800Vdc	51±1.0	25µF 1500Vdc	51±1.0
50µF 1000Vdc	51±1.0	10µF 1800Vdc	40±1.0

### Technical Details :

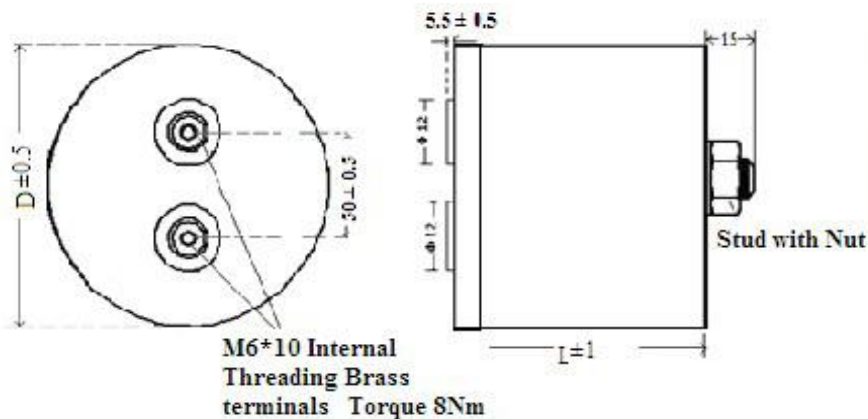
Tolerance	: ±10%
Irms max	: 100 A
Dielectric	: Metallised Segmented Polypropylene film
Casing	: Plastic case (self-extinguishing FR grade, optional) filled with Thermosetting epoxy resin UL94V0
Terminals (2)	: Tin plated M8 Brass Screw Max. torque 10Nm
Test voltage between terminals(10s)	: 1.3* V <sub>n</sub> dc
Insulation withstanding voltage between shorted terminals & body	: 4k V <sub>rms</sub>
Temperature Range	: -40 °C to +85°C
Climatic Category	: 40/85/21
Marking	: ADVANCE Value, Tolerance Voltage, Current Part Code Mysore – India

## ADVANCE DC LINK CAPACITORS (RoHS Compliant)

### Specifications

Dielectric	: Metallised Polypropylene Segmented film
Rated DC Voltage	: 1320Vdc
Impregnants	: Thermosetting epoxy resin UL94V0
Case	: Aluminium
Terminals	: Nickle plated M6x10 Brass internal threaded Max. torque 8Nm
Mounting	: M12 stud with nut- Max. torque 12Nm
Test Voltage b/n terminals (10s)	: 1.3 times the rated dc voltage
Test Voltage b/n terminals and case (60s)	: 2.5kVac
Temperature range	: -40 °C to +85°C
Climatic category	: 55/60/56

### Dimensional Drawing ( in mm )



Capacitance μF	Rated Voltage Vdc	Current max, A	ESR mΩ	D*L mm	Capacitance μF	Rated Voltage Vdc	Current max, A	ESR mΩ	D*L mm
140	1320	25	4.8	116*95	360	1320	58	2.5	116*180
180	1320	30	4.9	116*95	390	1320	62	3.5	116*180
200	1320	40	5.7	116*95	400	1320	65	2.9	116*180
210	1320	40	3.5	116*95	440	1320	70	3.9	116*180
260	1320	45	2.5	116*95	480	1320	72	3.3	116*180
290	1320	50	2.7	116*95	560	1320	75	2.6	136*180
310	1320	52	1.7	116*95	590	1320	80	1.4	136*180
330	1320	55	3	136*95	630	1320	90	0.9	136*180