

## CC-5 Conduction Cooled Capacitors

CC-5 Series conduction cooled capacitors have direct mounting option with flat rectangular electroplated copper plates.

### Specifications:

Specifications:

Capacitance	: 0.1 $\mu$ F to 5 $\mu$ F
Tolerance	: $\pm$ 10%
Rated Voltage	: upto 1000Vrms
Dielectric	: Metallised Polypropylene Film
Max current	: upto 1000 Arms
Working frequency	: upto 650kHz
Temperature Range	: -40°C to +85°C
Standard reference	: IEC 61071

Marking

ADVANCE Value , Tolerance Voltage ,  
Current KVAR Part Code  
Mysore – India  
**DISCHARGE BEFORE HANDLING**



**ADVANCE COMPONENTS AND INSTRUMENTS PVT. LTD.**

Dimensional Drawing: All Dimensions are in mm - Not to scale

Registered Office & Factory :  
3A-3A/1, Belavadi Indl Area, Mysore - 570 018. INDIA



ISO 9001 : 2015  
ISO 13485 : 2016

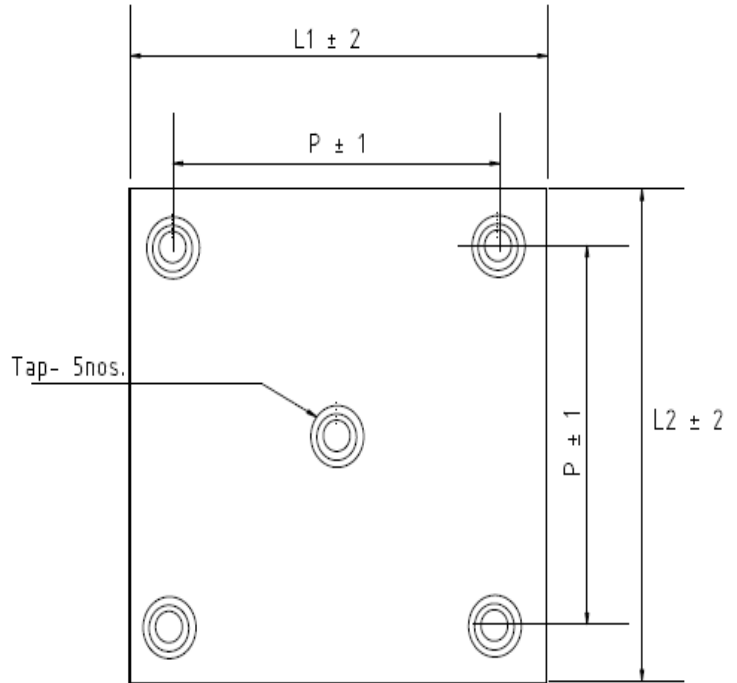
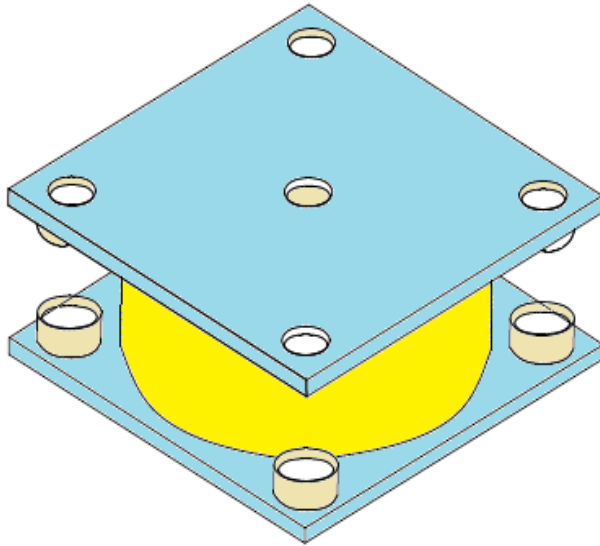
Phone : +91 821 2402307, 2402301, 2403058

E-mail : enquiries@advancecapacitors.com  
advcaps@gmail.com

Website : www.advance-capacitors.com

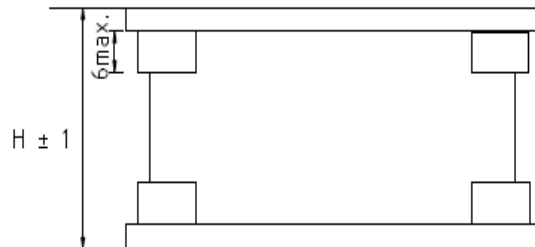
GSTIN : 29AABCA1720D1ZA

Dimensional Drawing: All Dimensions are in mm , Not to scale



**\*\*Note:**

1. 50sq. mm Plates are White tape Wrapped
2. 80sq. mm Plates are Yellow tape Wrapped
3. 100sq. mm Plates are Red tape Wrapped



### Standard Capacitor Power Range 200kVAR

Capacitance	Tolerance	Rated RMS Voltage	Max. Current	Max. Power	Working Frequency	Dimensions in mm **				Self Clinch Nuts Fixed
						L1 ±2	L2 ±2	H±1	P±1	
μF @ 1kHz	%	Vrms	Irms	kvar	Range in kHz					
0.33	±10	700	300	200	196 - 210	50	50	34	36	M6
0.66	±10	600	350		135 - 150	50	50	34	36	M6
1.20	±10	500	400		105 - 107	50	50	34	36	M6
1.50	±10	500	400		85 - 87	50	50	34	36	M6

### Standard Capacitor Power Range 300kVAR

Capacitance	Tolerance	Rated RMS Voltage	Max. Current	Max. Power	Working Frequency	Dimensions in mm **				Self Clinch Nuts Fixed
						L1 ±1	L2 ±1	H±1	P±1	
μF @ 1kHz	%	Vrms	Irms	kvar	Range in kHz					
0.10	±10	1000	350	300	476 - 648	50	50	34	36	M6
0.20	±10	1000	400		238 - 345	50	50	34	36	M6
0.25	±10	700	500		390 - 525	50	50	34	36	M6
0.33	±10	700	500		295 - 400	50	50	34	36	M6
0.66	±10	700	500		147 - 198	50	50	34	36	M6
1.00	±10	600	650		132 - 220	50	50	34	36	M6
1.20	±10	600	650		111 - 186	50	50	34	36	M6
1.32	±10	600	650		101 - 168	50	50	34	36	M6
0.25	±10	700	500		390 - 525	80	80	34	62	M8
0.33	±10	700	500		295 - 400	80	80	34	62	M8
0.66	±10	700	500		147 - 198	80	80	34	62	M8
1.00	±10	600	650		132 - 220	80	80	34	62	M8
1.20	±10	600	650		111 - 186	80	80	34	62	M8
1.32	±10	600	650		101 - 168	80	80	34	62	M8
2.40	±10	500	650		80 - 95	80	80	34	62	M8
2.60	±10	500	650		72 - 84	80	80	34	62	M8
5.00	±10	400	800	59 - 64	80	80	34	62	M8	



# ADVANCE COMPONENTS AND INSTRUMENTS PVT. LTD.

Mfrs. of PLASTIC FILM CAPACITORS & EMI NOISE FILTERS

Registered Office & Factory :

3A-3A/1, Belavadi Indl.Area, Mysore - 570 018. INDIA



ISO 9001 : 2015  
ISO 13485 : 2016

Phone : +91 821 2402307, 2402301, 2403058

E-mail : enquiries@advancecapacitors.com  
advcaps@gmail.com

Website : www.advance-capacitors.com

GSTIN : 29AABCA1720D1ZA

## Standard Capacitor Power Range 400kVAR

Capacitance	Tolerance	Rated RMS Voltage	Max. Current	Max. Power	Working Frequency	Dimensions in mm **				Self Clinch
						L1 ±2	L2 ±2	H±1	P±1	Nuts Fixed
μF @ 1kHz	%	Vrms	Irms	kvar	Range in kHz					Tap
0.33	±10	1000	600	400	194 - 430	80	80	34	62	M8
0.66	±10	1000	600		95 - 200	80	80	34	62	M8
1.20	±10	900	850		66 - 200	80	80	34	62	M8
1.32	±10	900	850		58 - 200	80	80	34	62	M8
2.60	±10	700	950		51 - 100	80	80	34	62	M8
5.00	±10	500	1000		50 - 80	80	80	34	62	M8