

## ADVANCE DC LINK CAPACITORS (ADC-CPx series)

ADC-CPx Series capacitors available in FR grade plastic case (PBT and Akulon) filled with self-extinguishing FR grade UL94VO resin. Available in both Screw (ADC-CPS) and Flange (ADC-CPF) terminals with integrated bottom clamp for mounting.

### Specifications:

Capacitance Range	: 20 $\mu$ F to 200 $\mu$ F
Rated Voltage range	: 500Vdc to 1800Vdc
Tolerance	: $\pm$ 5% / $\pm$ 10%
Irms Max	: 100A
Dielectric	: Metallised Polypropylene Film
Test voltage between terminals(10s)	: 1.3 x Vn DC
Insulation withstanding voltage between shorted terminals & body	: 4kVrms , 50Hz
ESR	: As low as 0.7m $\Omega$
Temperature Range	: -40 $^{\circ}$ C to +85 $^{\circ}$ C
Climatic Category	: 40/85/21
Standard reference	: IEC 61071
RoHS Compliance	: Yes
Protection	: Protected / Unprotected

Marking

ADVANCE Value,  
Tolerance Voltage,  
Current Part Code  
Mysore – India



# **ADVANCE COMPONENTS AND INSTRUMENTS PVT. LTD.**

Mfrs. of PLASTIC FILM CAPACITORS & EMI NOISE FILTERS

Registered Office & Factory :

3A-3A/1, Belavadi Indl.Area, Mysore - 570 018. INDIA



ISO 9001 : 2015  
ISO 13485 : 2016

Phone : +91 821 2402307, 2402301, 2403058

E-mail : [enquiries@advancecapacitors.com](mailto:enquiries@advancecapacitors.com)  
[advcaps@gmail.com](mailto:advcaps@gmail.com)

Website : [www.advance-capacitors.com](http://www.advance-capacitors.com)

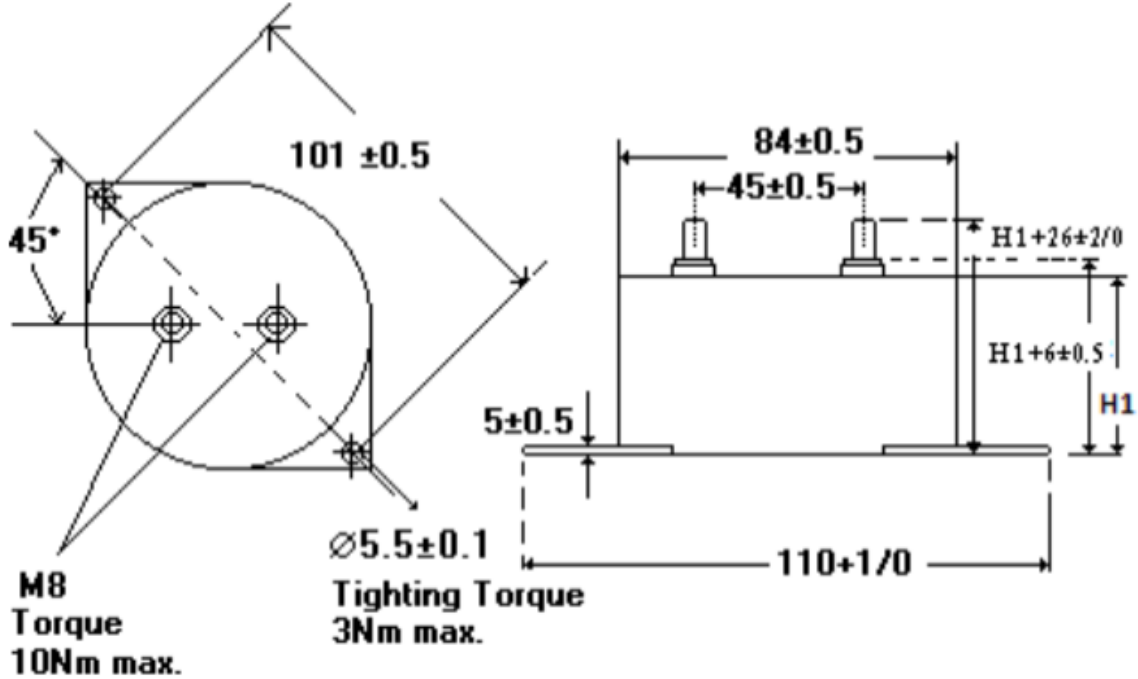
GSTIN : 29AABCA1720D1ZA

## Standard Capacitor Range :

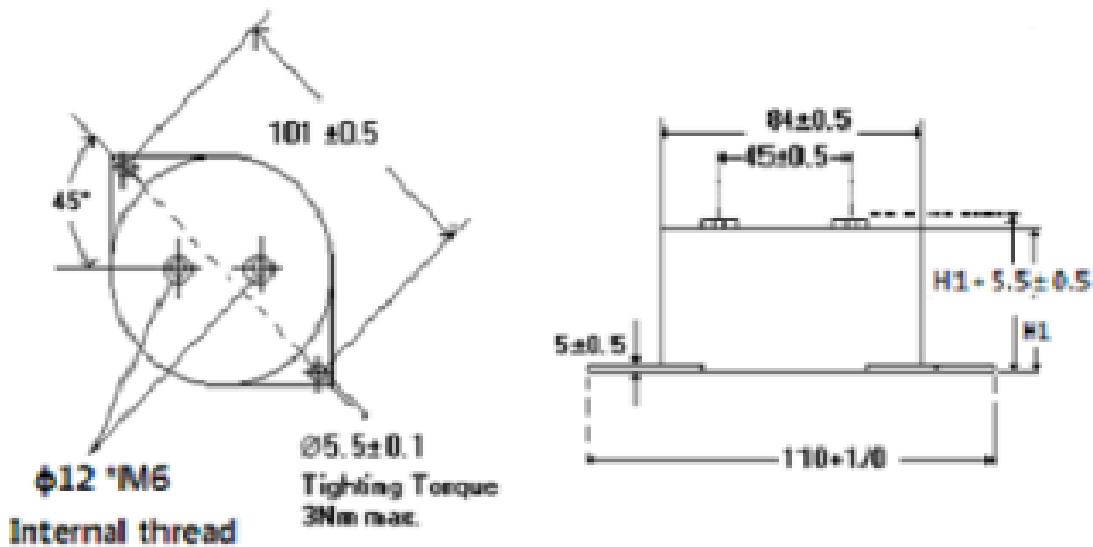
Rated DC Voltage	Capacitance @ 1kHz	Case Size in mm D X H1 ( $\pm 1$ )
500	100 $\mu$ F	84 x 51
	150 $\mu$ F	84 x 51
	200 $\mu$ F	84 x 64
600	100 $\mu$ F	84 x 51
800	20 $\mu$ F	84 x 40
	50 $\mu$ F	84 x 40
	60 $\mu$ F	84 x 40
	66 $\mu$ F	84 x 40
	70 $\mu$ F	84 x 40
	100 $\mu$ F	84 x 51
1000	50 $\mu$ F	84 x 51
	66 $\mu$ F	84 x 64
	100 $\mu$ F	84 x 64
	150 $\mu$ F	84 x 79
1100	75 $\mu$ F	84 x 64
1200	35 $\mu$ F	84 x 51
	50 $\mu$ F	84 x 64
1500	25 $\mu$ F	84 x 51
1800	10 $\mu$ F	84 x 40
1800	18 $\mu$ F	84 x 40

**ADC-CPS type**

**Dimensional Drawing ( in mm)**



**ADC-CPF Type**





Mfrs. of PLASTIC FILM CAPACITORS & EMI NOISE FILTERS

Registered Office & Factory :  
3A-3A/1, Belavadi Indl. Area, Mysore - 570 018. INDIA



ISO 9001 : 2015  
ISO 13485 : 2016

Phone : +91 821 2402307, 2402301, 2403058

E-mail : [enquiries@advancecapacitors.com](mailto:enquiries@advancecapacitors.com)  
[advcaps@gmail.com](mailto:advcaps@gmail.com)

Website : [www.advance-capacitors.com](http://www.advance-capacitors.com)

GSTIN : 29AABCA1720D1ZA

## ADVANCE DC LINK CAPACITORS (ADC-CAx series)

ADC-CAx series capacitors available in Aluminum can filled with self-extinguishing FR grade UL94VO resin. Available in both Screw and Flange terminals with bottom stud for mounting (optional)

### Specifications:

Capacitance Range	: 100 $\mu$ F to 1200 $\mu$ F
Rated Voltage range	: Upto 1320 Vdc
Tolerance	: $\pm 5\%$ / $\pm 10\%$
Dielectric	: Metallised Polypropylene Film
Test voltage between terminals(10s)	: 1.3 x Vn DC
Insulation withstanding voltage between shorted terminals & case (60s)	: 2.5kVac , 50Hz
ESR	: As low as 0.7m $\Omega$
Temperature Range	: -40°C to +85°C
Climatic Category	: 55/60/56
Standard reference	: IEC 61071
RoHS Compliance	: Yes
Protection	: Protected / Unprotected

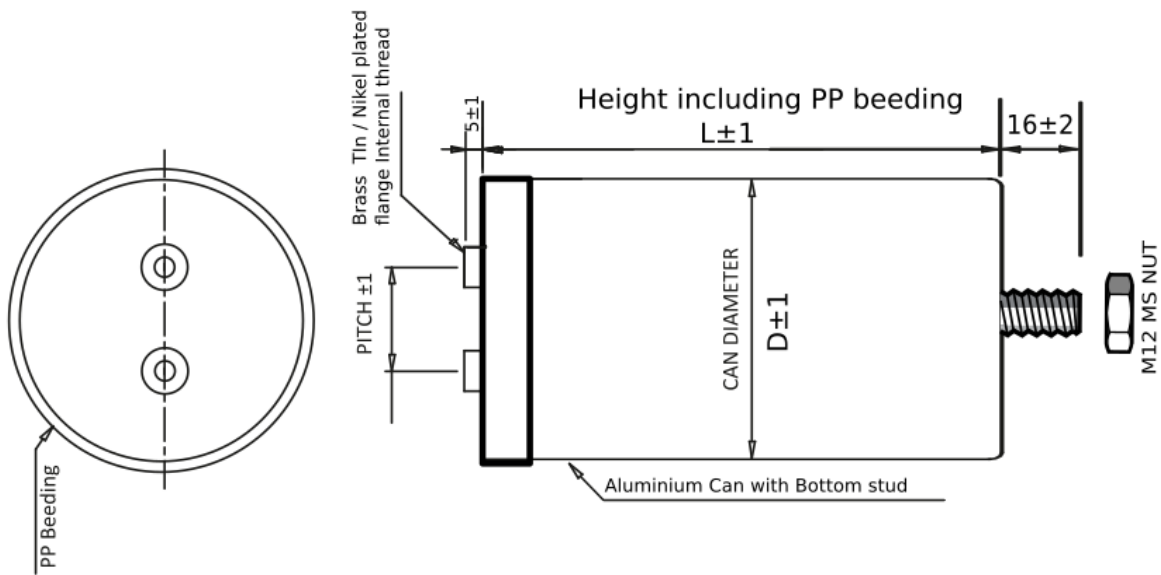
### Marking

<p>ADVANCE Value , Tolerance Voltage , Current Part Code Mysore – India DISCHARGE BEFORE HANDLING</p>
-------------------------------------------------------------------------------------------------------------------

Dimensional Drawing: All Dimensions are in mm , Not to scale

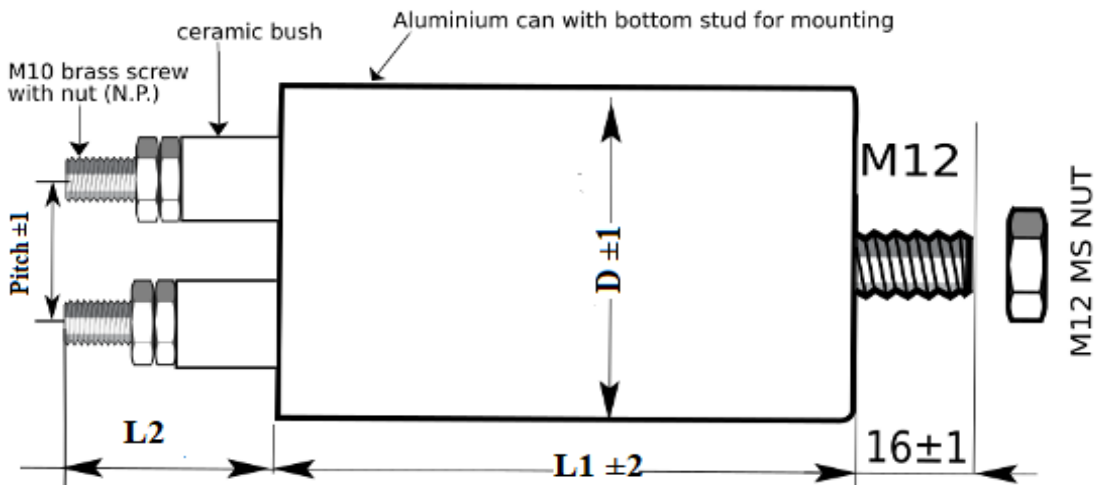
TYPE 1 ADC-CAF

Standard available Pitch = 35 & 50 mm



TYPE 2 ADC-CAS

Standard available Pitch = 35 & 50 m



**ADVANCE COMPONENTS  
AND INSTRUMENTS PVT. LTD.**

Mfrs. of PLASTIC FILM CAPACITORS & EMI NOISE FILTERS

Registered Office & Factory :  
3A-3A/1, Belavadi Indl. Area, Mysore - 570 018. INDIA



ISO 9001 : 2015  
ISO 13485 : 2016

Phone : +91 821 2402307, 2402301, 2403058

E-mail : [enquiries@advancecapacitors.com](mailto:enquiries@advancecapacitors.com)  
[advcaps@gmail.com](mailto:advcaps@gmail.com)

Website : [www.advance-capacitors.com](http://www.advance-capacitors.com)

GSTIN : 29AABCA1720D1ZA

Standard Capacitor Range :

Rated DC voltage VDC	Capacitance @ 1kHz	Current Max A	Case Dimensions (mm) D x L1	Case Dimensions (mm) D x L1
			ADC-CAF	ADC-CAS
900	300 $\mu$ F	40	100 x 133	100 x 130
	360 $\mu$ F	40	116 x 133	116 x 130
	400 $\mu$ F	40	116 x 133	116 x 130
	430 $\mu$ F	40	116 x 133	116 x 130
	475 $\mu$ F	60	136 x 133	136 x 130
	495 $\mu$ F	60	136 x 133	136 x 130
	540 $\mu$ F	60	136 x 133	136 x 130
	630 $\mu$ F	60	136 x 133	136 x 130
	610 $\mu$ F	60	136 x 133	136 x 130
	700 $\mu$ F	60	136 x 188	136 x 185
1320	140 $\mu$ F	25	116 x 98	116 x 95
	180 $\mu$ F	30	116 x 98	116 x 95
	200 $\mu$ F	40	116 x 98	116 x 95
	210 $\mu$ F	40	116 x 98	116 x 95
	260 $\mu$ F	45	116 x 98	116 x 95
	290 $\mu$ F	50	116 x 98	116 x 95
	310 $\mu$ F	52	116 x 98	116 x 95
	330 $\mu$ F	55	136 x 95	136 x 95
	360 $\mu$ F	58	116 x 183	116 x 180
	390 $\mu$ F	62	116 x 183	116 x 180
	400 $\mu$ F	65	116 x 183	116 x 180
	440 $\mu$ F	70	116 x 183	116 x 180
	480 $\mu$ F	72	116 x 183	116 x 180
	560 $\mu$ F	75	136 x 183	136 x 180
	590 $\mu$ F	80	136 x 183	136 x 180
630 $\mu$ F	90	136 x 183	136 x 180	

**ADVANCE COMPONENTS  
AND INSTRUMENTS PVT. LTD.**

Mfrs. of PLASTIC FILM CAPACITORS & EMI NOISE FILTERS

Registered Office & Factory :  
3A-3A/1, Belavadi Indl.Area, Mysore - 570 018. INDIA



ISO 9001 : 2015  
ISO 13485 : 2016

Phone : +91 821 2402307, 2402301, 2403058

E-mail : [enquiries@advancecapacitors.com](mailto:enquiries@advancecapacitors.com)  
[advcaps@gmail.com](mailto:advcaps@gmail.com)

Website : [www.advance-capacitors.com](http://www.advance-capacitors.com)

GSTIN : 29AABCA1720D1ZA



## ADVANCE DC LINK CAPACITORS (ADC-RPx series)

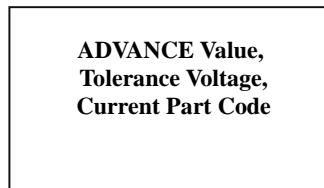
ADC-RPx series capacitors available in FR grade plastic rectangular box and filled with self-extinguishing FR grade UL94VO resin with 2-pin and 4-pin configuration.

### Specifications:

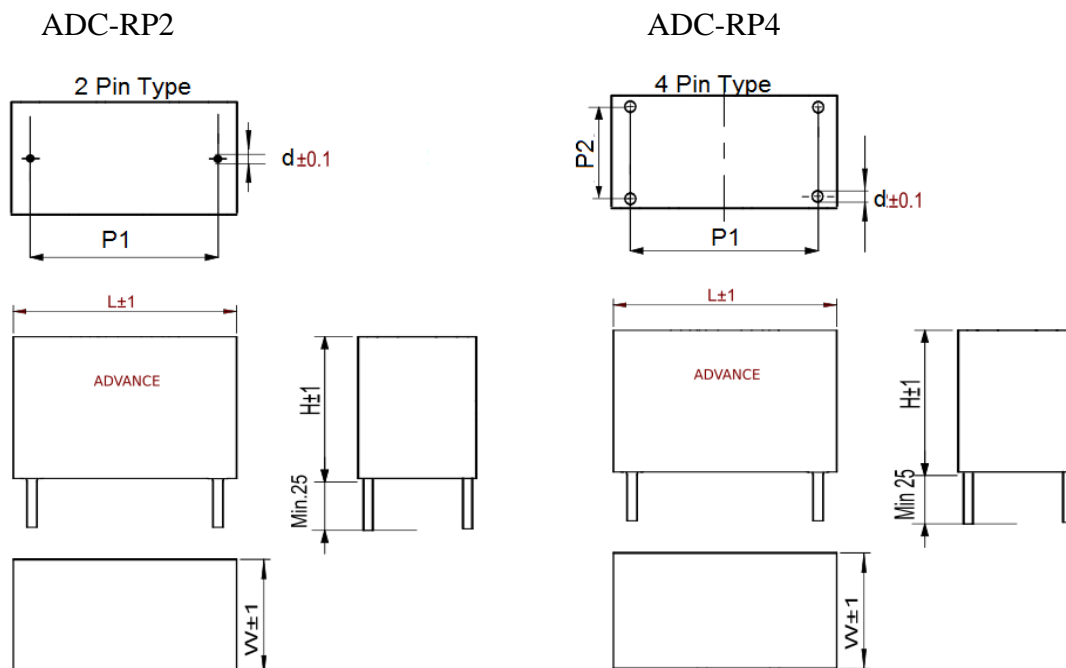
Capacitance Range	: 1 $\mu$ F to 50 $\mu$ F
Rated Voltage range	: 400Vdc to 1100Vdc
Tolerance	: $\pm$ 5% / $\pm$ 10%
Dielectric	: Metallised Polypropylene Film
Test voltage between terminals(10s)	: 1.3 x Vn DC
ESR	: As low as 10m $\Omega$
Temperature Range	: -40°C to +85°C
Climatic Category	: 40/85/21
Standard reference	: IEC 61071
RoHS Compliance	: Available



### Marking



### Dimensional Drawing: Dimensions(inmm) Not to Scale



Lead dia , d = 0.8 / 1.0 / 1.2 mm lead dia , Custom Pitch can be made as per requirements.



Standard Capacitor Range :

Rated DC Voltage	Capacitance @ 1kHz	Case Size in mm W x L X H ( $\pm 1$ )
400	4.7 $\mu$ F	17 x 42 x 19
500	10 $\mu$ F	19 x 43.5 x 36
	15 $\mu$ F	19 x 43.5 x 36
	20 $\mu$ F	35.5 x 57 x 50
	30 $\mu$ F	35.5 x 57 x 50
	50 $\mu$ F	35.5 x 57 x 50
	60 $\mu$ F	35.5 x 57 x 50
800	10 $\mu$ F	19 x 43.5 x 36
	15 $\mu$ F	19 x 43.5 x 36
	20 $\mu$ F	35.5 x 57 x 50
	30 $\mu$ F	35.5 x 57 x 50
	50 $\mu$ F	35.5 x 57 x 50
	60 $\mu$ F	35.5 x 57 x 50
1100	10 $\mu$ F	30 x 44 x 44

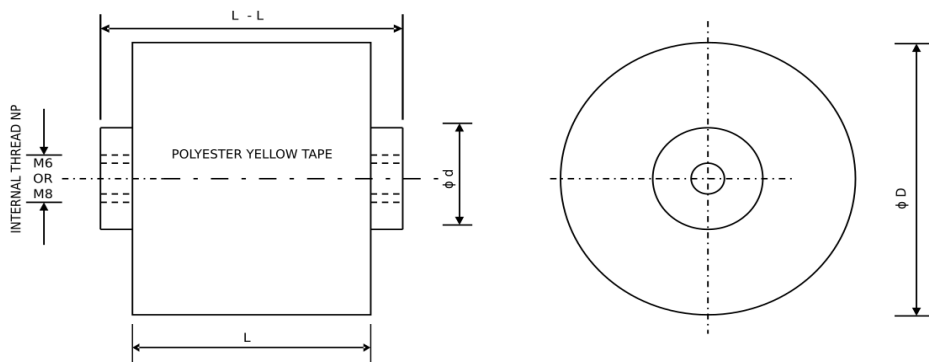
## ADVANCE DC LINK CAPACITORS (ADC-AR series)

### ADC-AR Series

ADC-AR series capacitors are axial round capacitor with UL grade plastic or wrap tape with Flange terminals

### Specifications:

Capacitance	: 5 $\mu$ F to 400 $\mu$ F
Rated Voltage	: 400Vdc to 800Vdc
Tolerance	: $\pm$ 5%, $\pm$ 10%
Dielectric	: Metallised Polypropylene Film
Temperature Range	: -40°C to +85°C
Climatic Category	: 40/85/56



### Marking

ADVANCE  
ADC-AR Value,  
Tolerance Voltage, Current  
Batch No / Date