

CC-3 Conduction Cooled Capacitors

CC-3 series conduction cooled capacitors are available in Fibre Glass tubes end filled with epoxy resin and copper flange terminals

Specifications:

Specifications:

Capacitance	: 3 μ F to 65 μ F
Tolerance	: \pm 10%
Rated Voltage	: upto 1200Vrms
Dielectric	: Metallised Polypropylene Film
Max current	: upto 1200 Arms
Working frequency	: upto 60kHz
Temperature Range	: -40°C to +85°C
Standard reference	: IEC 61071

Marking

ADVANCE Value , Tolerance Voltage ,
Current Part Code
Mysore – India
DISCHARGE BEFORE HANDLING



**ADVANCE COMPONENTS
AND INSTRUMENTS PVT. LTD.**

Mfrs. of PLASTIC FILM CAPACITORS & EMI NOISE FILTERS

Registered Office & Factory :
3A-3A/1, Belavadi Indl Area, Mysore - 570 018. INDIA



ISO 9001 : 2015
ISO 13485 : 2016

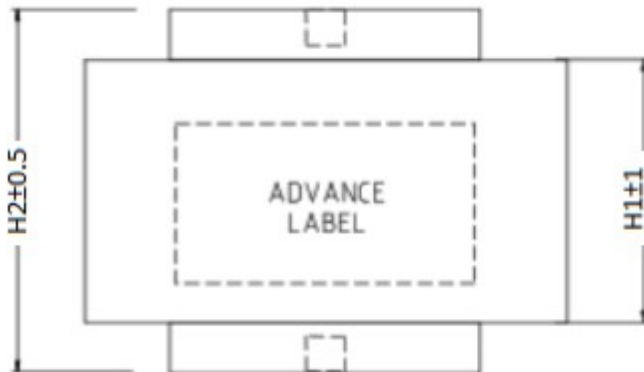
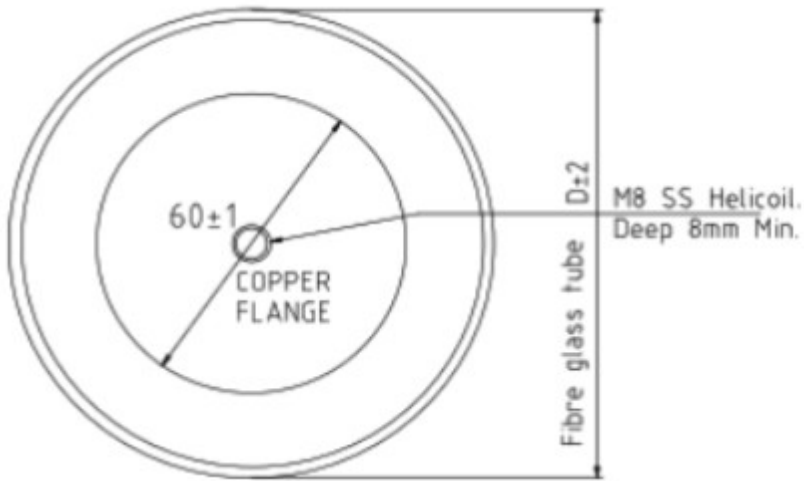
Phone : +91 821 2402307, 2402301, 2403058

E-mail : enquiries@advancecapacitors.com
advcaps@gmail.com

Website : www.advance-capacitors.com

GSTIN : 29AABCA1720D1ZA

Dimensional Drawing: All Dimensions are in mm , Not to scale





ADVANCE COMPONENTS AND INSTRUMENTS PVT. LTD.

Mfrs. of PLASTIC FILM CAPACITORS & EMI NOISE FILTERS

Registered Office & Factory :
3A-3A/1, Belavadi Indl Area, Mysore - 570 018. INDIA



ISO 9001 : 2015
ISO 13485 : 2016

Phone : +91 821 2402307, 2402301, 2403058

E-mail : enquiries@advancecapacitors.com
advcaps@gmail.com

Website : www.advance-capacitors.com

GSTIN : 29AABCA1720D1ZA

Standard Capacitor Range

Capacitance µF @ 1kHz	Tolerance %	Rated RMS Voltage Vrms	Max. Current Irms	Max. Power kvar	Working Frequency kHz	Dimensions in mm		
						D ±2	H1±1	H2±0.5
65	±10	400	1200	500	7	130	66	77.5
60	±10	500	1200	600	7	130	52	71.5
45.0	±10	500	1000	500	7	107	66	77.5
40.0	±10	700	600	400	3.3	130	66	77.5
37.0	±10	500	1000	500	7	102	66	77.5
30.0	±10	700	600	400	4.5	107	66	77.5
25.0	±10	500	1000	500	13	107	52	71.5
22.0	±10	400	1000	400	18.5	102	52	71.5
21.0	±10	500	1000	500	15.5	102	52	71.5
19.0	±10	600	1200	700	16.5	107	52	71.5
14.0	±10	700	1000	700	16	107	52	71.5
10.0	±10	700	1000	700	23	90	52	71.5
5.0	±10	700	1000	700	46	90	52	71.5
3.0	±10	750	850	600	60	80	52	71.5
4.0	±10	900	700	600	30	98	52	71.5
8.5	±10	900	1000	900	21	98	52	71.5
3.0	±10	1200	700	800	31	90	52	71.5

CC-4 Conduction Cooled Capacitors with Water Cooling Tubes

CC-4 series conduction cooled capacitors are available in Fibre Glass tubes end filled with UL94-V0 epoxy resin and copper flange terminals with Water cooling Copper tubes(4 on each side/flange) for superior cooling.

Specifications:

Specifications:

Capacitance	: 3 μ F to 45 μ F
Tolerance	: \pm 10%
Rated Voltage	: upto 1200Vrms
Dielectric	: Metallised Polypropylene Film
Max current	: upto 1200 Arms
Working frequency	: upto 60kHz
Temperature Range	: -40°C to +85°C
Standard reference	: IEC 61071

Marking

ADVANCE Value , Tolerance Voltage ,
Current Part Code
Mysore – India
DISCHARGE BEFORE HANDLING



ADVANCE COMPONENTS AND INSTRUMENTS PVT. LTD.

Mfrs. of PLASTIC FILM CAPACITORS & EMI NOISE FILTERS

Registered Office & Factory :
3A-3A/1, Belavadi Indl Area, Mysore - 570 018. INDIA



ISO 9001 : 2015
ISO 13485 : 2016

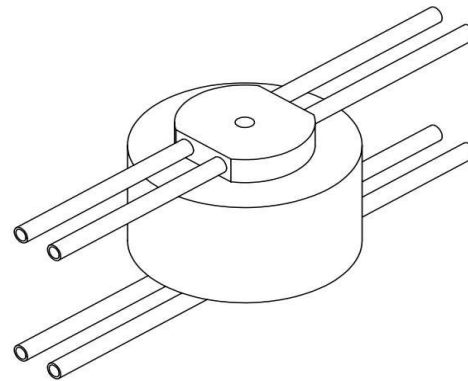
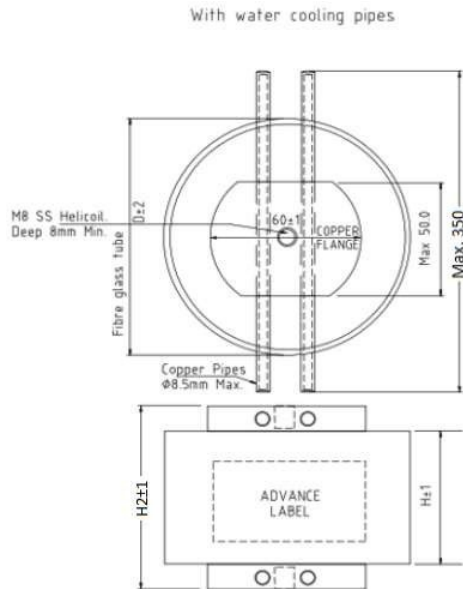
Phone : +91 821 2402307, 2402301, 2403058

E-mail : enquiries@advancecapacitors.com
advcaps@gmail.com

Website : www.advance-capacitors.com

GSTIN : 29AABCA1720D1ZA

Dimensional Drawing: All Dimensions are in mm , Not to scale





ADVANCE COMPONENTS AND INSTRUMENTS PVT. LTD.

Mfrs. of PLASTIC FILM CAPACITORS & EMI NOISE FILTERS

Registered Office & Factory :
3A-3A/1, Belavadi Indl Area, Mysore - 570 018. INDIA



ISO 9001 : 2015
ISO 13485 : 2016

Phone : +91 821 2402307, 2402301, 2403058

E-mail : enquiries@advancecapacitors.com
advcaps@gmail.com

Website : www.advance-capacitors.com

GSTIN : 29AABCA1720D1ZA

Standard Capacitor Range

Capacitance μF @ 1kHz	Tolerance %	Rated RMS Voltage Vrms	Max. Current Irms	Max. Power kvar	Working Frequency kHz	Dimensions in mm		
						D ± 2	H1 ± 1	H2 ± 1
45.0	± 10	500	1000	500	7	107	66	78
40.0	± 10	700	600	400	3.4	130	66	92
30.0	± 10	700	600	400	4.6	107	66	92
22.0	± 10	400	1000	400	18.5	102	52	78
21.0	± 10	500	1000	500	15.5	102	52	78
5.0	± 10	700	1000	700	46	90	52	78
10.0	± 10	700	1000	700	23	90	52	78
3.0	± 10	750	850	600	60	80	52	78
4.0	± 10	900	700	600	30	98	52	78
8.5	± 10	900	1000	900	21	98	52	78
3.0	± 10	1200	700	800	31	90	52	78

NOTE: Any in between Capacitance values required for same dimensional drawing will be done as per customer requirements

CC-5 Conduction Cooled Capacitors

CC-5 Series conduction cooled capacitors have direct mounting option with flat rectangular electroplated copper plates.

Specifications:

Specifications:

Capacitance	: 0.1 μ F to 5 μ F
Tolerance	: \pm 10%
Rated Voltage	: upto 1000Vrms
Dielectric	: Metallised Polypropylene Film
Max current	: upto 1000 Arms
Working frequency	: upto 650kHz
Temperature Range	: -40°C to +85°C
Standard reference	: IEC 61071

Marking

ADVANCE Value , Tolerance Voltage ,
Current KVAR Part Code
Mysore – India
DISCHARGE BEFORE HANDLING



ADVANCE COMPONENTS AND INSTRUMENTS PVT. LTD.

Dimensional Drawing: All Dimensions are in mm - Not to scale

Registered Office & Factory :
3A-3A/1, Belavadi Indl Area, Mysore - 570 018. INDIA



ISO 9001 : 2015
ISO 13485 : 2016

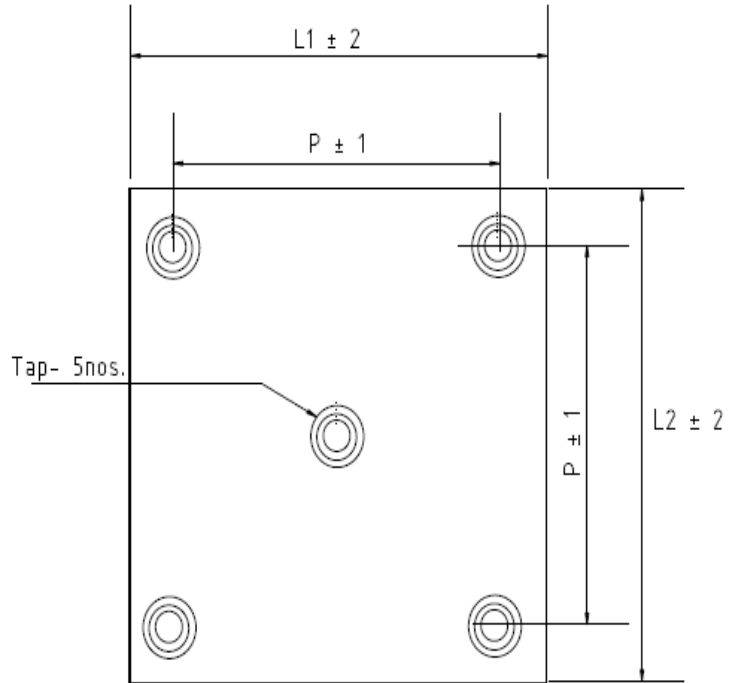
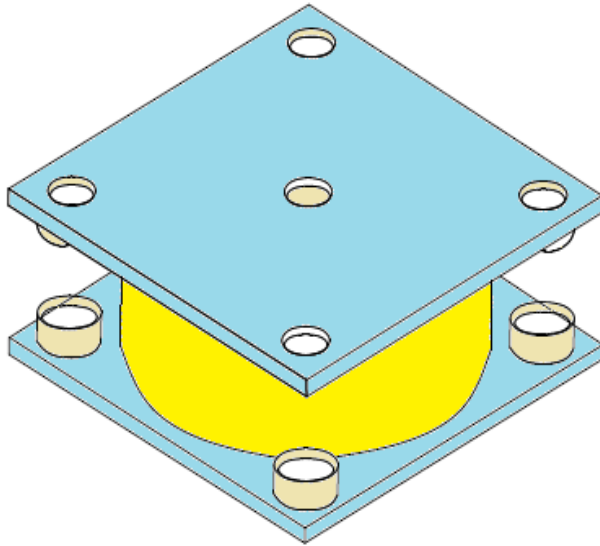
Phone : +91 821 2402307, 2402301, 2403058

E-mail : enquiries@advancecapacitors.com
advcaps@gmail.com

Website : www.advance-capacitors.com

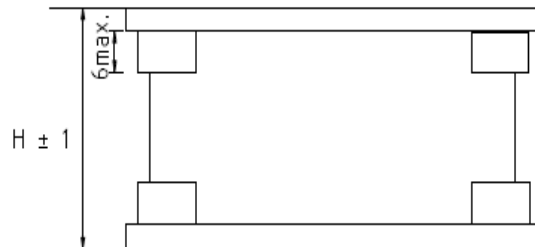
GSTIN : 29AABCA1720D1ZA

Dimensional Drawing: All Dimensions are in mm , Not to scale



****Note:**

1. 50sq. mm Plates are White tape Wrapped
2. 80sq. mm Plates are Yellow tape Wrapped
3. 100sq. mm Plates are Red tape Wrapped



Standard Capacitor Power Range 200kVAR

Capacitance	Tolerance	Rated RMS Voltage	Max. Current	Max. Power	Working Frequency	Dimensions in mm **				Self Clinch
						L1 ±2	L2 ±2	H±1	P±1	Nuts Fixed
µF @ 1kHz	%	Vrms	Irms	kvar	Range in kHz					Tap
0.33	±10	700	300	200	196 - 210	50	50	34	36	M6
0.66	±10	600	350		135 - 150	50	50	34	36	M6
1.20	±10	500	400		105 - 107	50	50	34	36	M6
1.50	±10	500	400		85 - 87	50	50	34	36	M6

Standard Capacitor Power Range 300kVAR

Capacitance	Tolerance	Rated RMS Voltage	Max. Current	Max. Power	Working Frequency	Dimensions in mm **				Self Clinch
						L1 ±1	L2 ±1	H±1	P±1	Nuts Fixed
µF @ 1kHz	%	Vrms	Irms	kvar	Range in kHz					Tap
0.10	±10	1000	350	300	476 - 648	50	50	34	36	M6
0.20	±10	1000	400		238 - 345	50	50	34	36	M6
0.25	±10	700	500		390 - 525	50	50	34	36	M6
0.33	±10	700	500		295 - 400	50	50	34	36	M6
0.66	±10	700	500		147 - 198	50	50	34	36	M6
1.00	±10	600	650		132 - 220	50	50	34	36	M6
1.20	±10	600	650		111 - 186	50	50	34	36	M6
1.32	±10	600	650		101 - 168	50	50	34	36	M6
0.25	±10	700	500		390 - 525	80	80	34	62	M8
0.33	±10	700	500		295 - 400	80	80	34	62	M8
0.66	±10	700	500		147 - 198	80	80	34	62	M8
1.00	±10	600	650		132 - 220	80	80	34	62	M8
1.20	±10	600	650		111 - 186	80	80	34	62	M8
1.32	±10	600	650		101 - 168	80	80	34	62	M8
2.40	±10	500	650		80 - 95	80	80	34	62	M8
2.60	±10	500	650		72 - 84	80	80	34	62	M8
5.00	±10	400	800	59 - 64	80	80	34	62	M8	



ADVANCE COMPONENTS AND INSTRUMENTS PVT. LTD.

Mfrs. of PLASTIC FILM CAPACITORS & EMI NOISE FILTERS

Registered Office & Factory :
3A-3A/1, Belavadi Indl.Area, Mysore - 570 018. INDIA



ISO 9001 : 2015
ISO 13485 : 2016

Phone : +91 821 2402307, 2402301, 2403058

E-mail : enquiries@advancecapacitors.com
advcaps@gmail.com

Website : www.advance-capacitors.com

GSTIN : 29AABCA1720D1ZA

Standard Capacitor Power Range 400kVAR

Capacitance	Tolerance	Rated RMS Voltage	Max. Current	Max. Power	Working Frequency	Dimensions in mm **				Self Clinch
						L1 ±2	L2 ±2	H±1	P±1	Nuts Fixed
μF @ 1kHz	%	Vrms	Irms	kvar	Range in kHz					Tap
0.33	±10	1000	600	400	194 - 430	80	80	34	62	M8
0.66	±10	1000	600		95 - 200	80	80	34	62	M8
1.20	±10	900	850		66 - 200	80	80	34	62	M8
1.32	±10	900	850		58 - 200	80	80	34	62	M8
2.60	±10	700	950		51 - 100	80	80	34	62	M8
5.00	±10	500	1000		50 - 80	80	80	34	62	M8