

## ADVANCE DC LINK CAPACITORS

### ADC-CPF-4 Series

ADC-CPF-4 series is a brand new capacitors in the DC Link Product range. These capacitors are designed for latest models of Inverters with unique 4 terminal design to ensure low inductance . Integrated mounting clamp technology with 4 mounting holes are designed to withstand high shock and vibrations.



### TECHNICAL DETAILS:

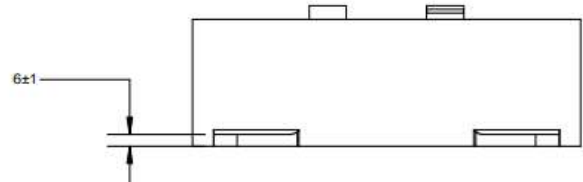
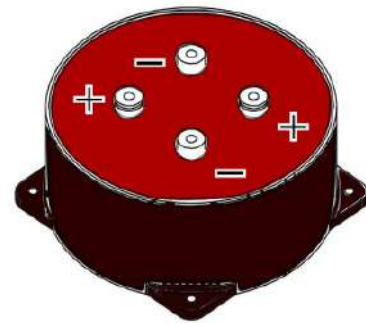
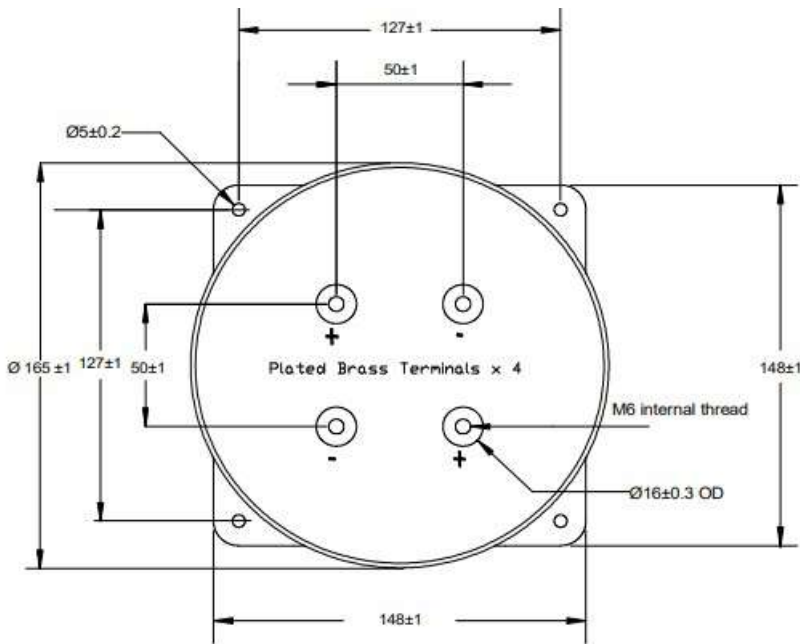
Capacitance Range : 30 $\mu$ F to 1600 $\mu$ F  
Rated Voltage range: 500Vdc to 2400Vdc  
Tolerance :  $\pm 5\%$  ,  $\pm 10\%$   
Max RMS current : 410A  
Dielectric : Metallised Polypropylene Film  
Casing : FR grade PBT housing with integrated mounting clamp  
end filled with thermosetting epoxy resin UL94V0  
Terminals (4) : Nickel / Tin Plated Brass Flange with internal threading  
ESR , typical : < 2m $\Omega$   
ESL, typical : < 10 nH  
Temperature Range : -40°C to +105°C  
Standard reference : IEC 61071

Marking :

**ADVANCE  
ADC-CPF-4  
Value, Tolerance  
Voltage, Current  
Part Code  
Mysore – India**

Dimensional Drawing in mm (not to scale)

**ADC-CPF-4**



# **ADVANCE COMPONENTS AND INSTRUMENTS PVT. LTD.**

Mfrs. of PLASTIC FILM CAPACITORS & EMI NOISE FILTERS

Registered Office & Factory :

3A-3A/1, Belavadi Indl.Area, Mysore - 570 018. INDIA



ISO 9001 : 2015  
ISO 13485 : 2016

Phone : +91 821 2402307, 2402301, 2403058

E-mail : [enquiries@advancecapacitors.com](mailto:enquiries@advancecapacitors.com)  
[advcaps@gmail.com](mailto:advcaps@gmail.com)

Website : [www.advance-capacitors.com](http://www.advance-capacitors.com)

GSTIN : 29AABCA1720D1ZA

## Standard Capacitor Range

RATED VOLTAGE VDC	CAP µF	H mm	dv/dt (v/us)	Ipk Amps	Rms Current (10kHz)			
					25°C	55°C	85°C	105°C
500	500	50	33	16400	410	325	210	50
	1100	75	12	13400	335	266	172	41
	1600	100	8	12000	300	238	154	37
600	400	50	40	16000	400	317	205	49
	850	75	15	12800	320	254	164	39
	1200	100	9	10800	270	214	138	33
750	320	50	48	15200	380	302	195	46
	650	75	18	11600	290	230	149	35
	950	100	11	10400	260	206	133	32
900	220	50	64	14000	350	278	179	43
	550	75	20	10800	270	214	138	33
	800	100	13	10000	250	198	128	30
1100	150	50	85	12800	320	254	164	39
	370	75	28	10400	260	206	133	32
	550	100	17	9200	230	183	118	28
1400	110	50	80	8820	290	230	149	35
	270	75	36	9600	240	190	123	29
	400	100	21	8400	210	167	108	26
1600	90	50	112	10080	290	230	149	35
	210	75	44	9200	230	183	118	28
	310	100	26	8000	200	159	103	24
1800	70	50	126	8820	270	214	138	33
	160	75	53	8400	210	167	108	26
	240	100	31	7400	185	147	95	23
2000	50	50	180	9000	280	222	144	34
	120	75	70	8400	210	167	108	26
	200	100	36	7200	180	143	92	22
2400	30	50	216	6480	225	179	115	27
	85	75	78	6630	190	151	97	23
	140	100	47	6600	165	131	85	20

Note: Other Capacitance value and voltage ratings available are on request

### Registered Office and Factory:

**Advance Components and Instruments Pvt Ltd**

3A-3A/1, Belavadi Industrial Area ,Mysore – 570018 KARNATAKA

Phone: +91 821 2402301 / 2402307

Mobile & WhatsApp: +91 8073111025

E-mail : [advcaps@gmail.com](mailto:advcaps@gmail.com) / [enquiries@advancecapacitors.com](mailto:enquiries@advancecapacitors.com)

Website: [www.advance-capacitors.com](http://www.advance-capacitors.com)

## ADVANCE DC LINK CAPACITORS

### ADC-LH Series

ADC-LHx series is a brand new range of capacitors in the DC Link Product range. These capacitors are designed with very low ESL (<14nH), Aluminum Housing with integrated Aluminum mounting clamp (Heat-sink plate) for superior thermal conductivity. These are available in both Screw and Flange terminals. This range of capacitors provide very stable performance over a wide range of frequencies.

ADC-LHx range of capacitors are ideal for eMobility (Quick EV chargers), Induction Heating/ Welding machines and Medical Devices.



#### TECHNICAL DETAILS:

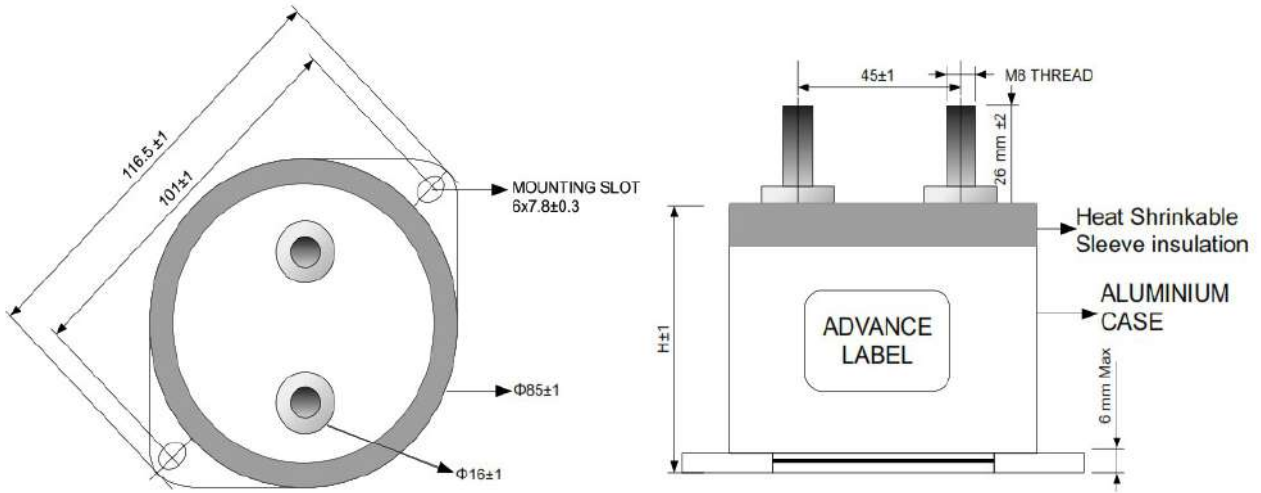
Capacitance Range	: 20µF to 500µF
Rated Voltage range (Vn)	: 500Vdc to 1500Vdc
Tolerance	: ±5% , ±10%
Max RMS current	: 100A
Dielectric	: Metallised Polypropylene Film
Casing	: Aluminum case with integrated aluminium mounting clamp end filled with thermosetting epoxy resin UL94V0
Terminals (2)	: Nickel / Tin Plated M8 Brass Screw terminals with Bush or Flange terminals with internal threading
Test voltage between terminals(10s)	: 1.3 x V <sub>n</sub> DC
Insulation withstanding voltage between shorted terminals & body	: 4kV <sub>rms</sub> , 50Hz
ESR	: < 0.7mΩ
ESL	: < 14nH
Temperature Range	: -40°C to +85°C
Climatic Category	: 40/85/21
Standard reference	: IEC 61071
RoHS Compliance	: Yes
Protection	: Protected / Unprotected

Marking :

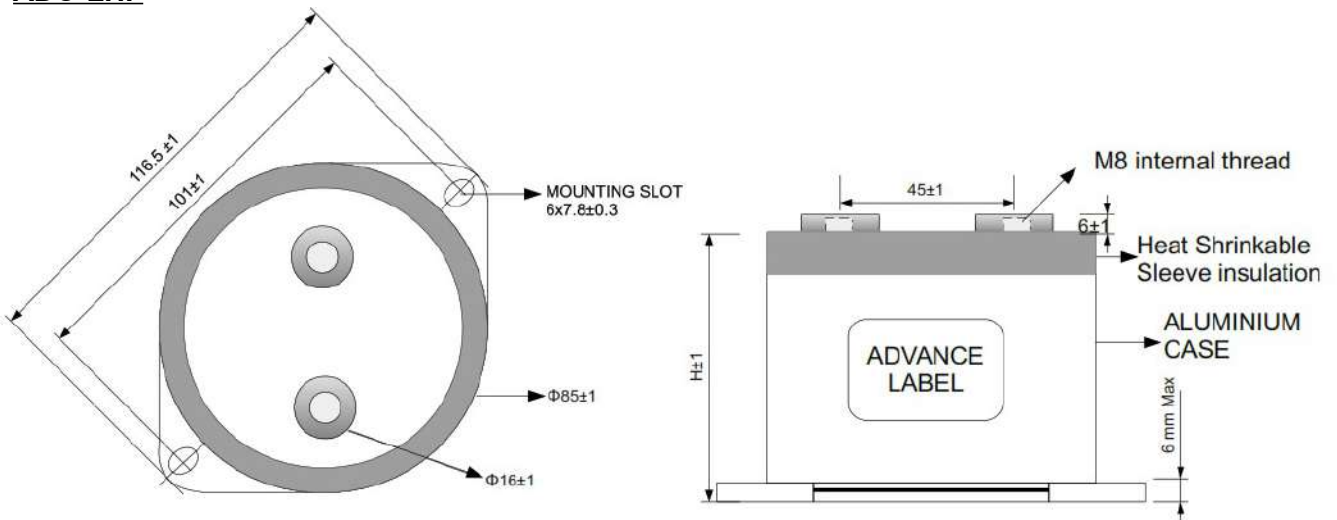
ADVANCE  
ADC-LHx  
Value, Tolerance  
Voltage, Current  
Part Code  
Mysore – India

Dimensional Drawing in mm (not to scale)

**ADC-LHS**



**ADC-LHF**



Standard Capacitor Range :

Rated DC Voltage	Capacitance $\mu\text{F}$	Diameter $\pm 1\text{mm}$	Height H $\pm 1\text{mm}$
500	60	<b>85</b>	56
	70		56
	100		56
	150		56
	200		69
	500		130
600	60		56
	70		56
	100		56
	150		56
	200		69
	500		130
700	100		56
	150		56
	200		69
	500		130
800	20		45
	50		45
	60	45	
	100	56	
	140	69	
	200	94	
	325	130	

Rated DC Voltage	Capacitance $\mu\text{F}$	Diameter $\pm 1\text{mm}$	Height H $\pm 1\text{mm}$
900	20	<b>85</b>	45
	50		45
	60		45
	100		56
	150		69
	200		94
	325		130
1000	50		56
	60		69
	66		69
	100		69
	225		130
	225		130
1100	50		56
	60	69	
	66	69	
	100	69	
	225	130	
1200	175		130
1500	100		130

Note: Other Capacitance value and voltage ratings available are on request

**Registered Office and Factory:**

**Advance Components and Instruments Pvt Ltd**  
 3A-3A/1, Belavadi Industrial Area ,Mysore – 570018 KARNATAKA  
 Phone: +91 821 2402301 / 2402307 /2403058  
 Mobile & WhatsApp: +91 8073111025  
 E-mail : advcaps@gmail.com / enquiries@advancecapacitors.com  
 Website: www.advance-capacitors.com

## ADVANCE DC LINK CAPACITORS (ADC-CPx series)

ADC-CPx Series capacitors available in FR grade plastic case (PBT and Akulon) filled with self-extinguishing FR grade UL94VO resin. Available in both Screw (ADC-CPS) and Flange (ADC-CPF) terminals with integrated bottom clamp for mounting.

### Specifications:

Capacitance Range	: 20 $\mu$ F to 200 $\mu$ F
Rated Voltage range	: 500Vdc to 1800Vdc
Tolerance	: $\pm$ 5% / $\pm$ 10%
Irms Max	: 100A
Dielectric	: Metallised Polypropylene Film
Test voltage between terminals(10s)	: 1.3 x Vn DC
Insulation withstanding voltage between shorted terminals & body	: 4kVrms , 50Hz
ESR	: As low as 0.7m $\Omega$
Temperature Range	: -40 $^{\circ}$ C to +85 $^{\circ}$ C
Climatic Category	: 40/85/21
Standard reference	: IEC 61071
RoHS Compliance	: Yes
Protection	: Protected / Unprotected

### Marking

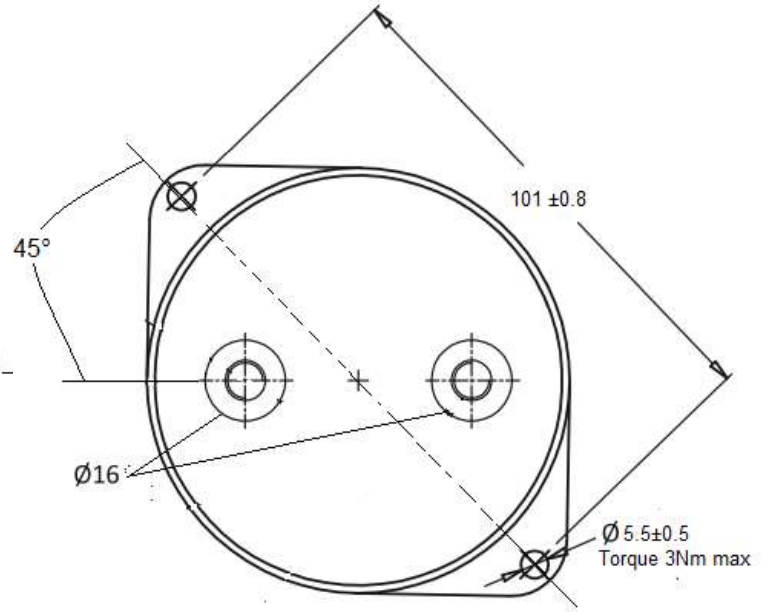
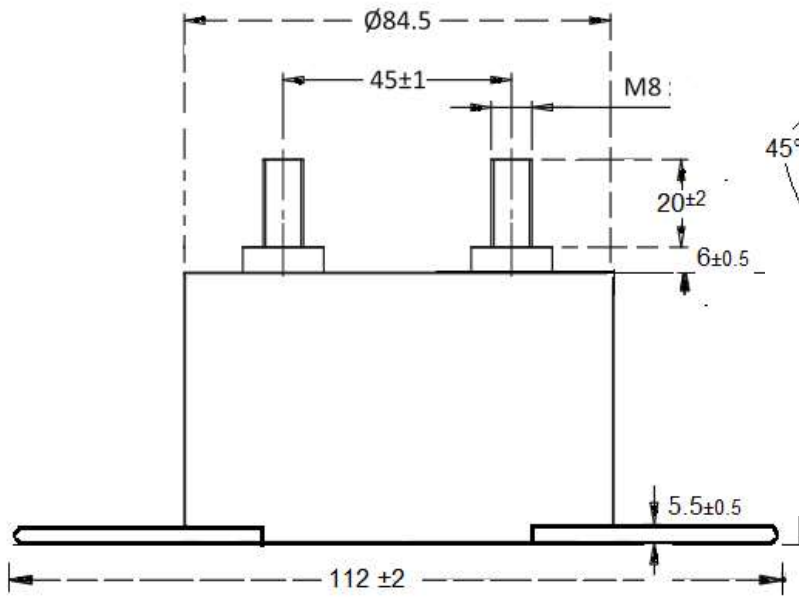
ADVANCE Value,  
Tolerance Voltage, Current Part  
Code  
Mysore – India



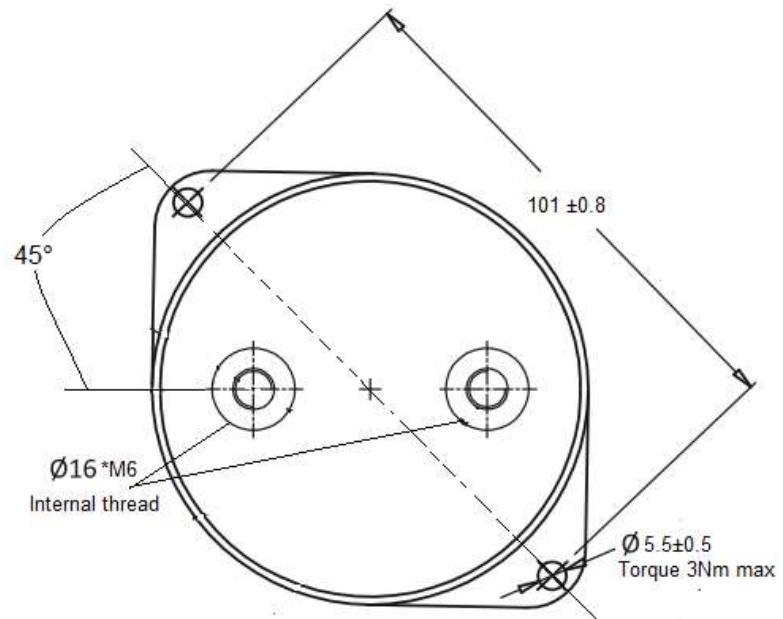
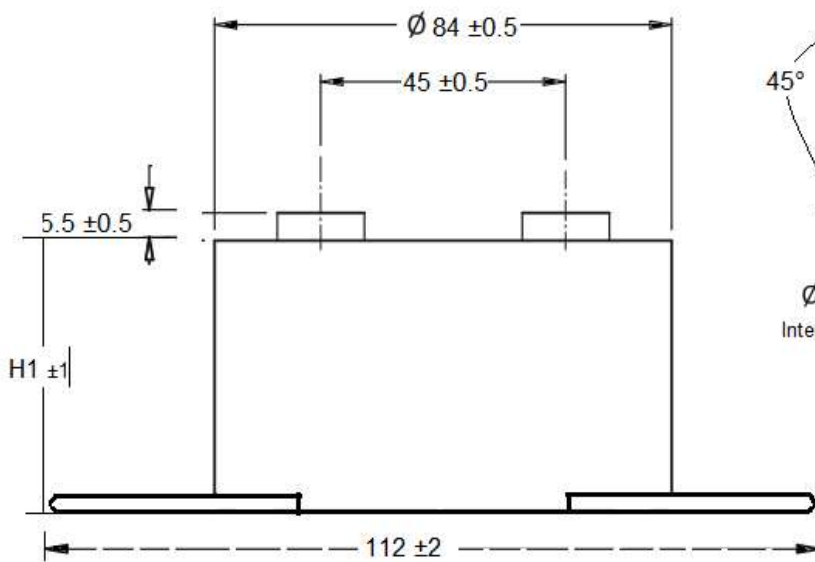
Standard Capacitor Range :

Rated Voltage VDC	Nominal Capacitance $\mu\text{F}$ @1kHz	Case Dia Dia x H1 (mm)	Typical ESR @10kHz	Rated Voltage VDC	Nominal Capacitance $\mu\text{F}$ @1kHz	Case Dia Dia x H1 (mm)	Typical ESR @10kHz
<b>700</b>	85	85 x 40	$\leq 3.0\text{m}\Omega$	<b>1100</b>	50	85 x 51	$\leq 4.0\text{m}\Omega$
	100	85 x 51	$\leq 1.5\text{m}\Omega$		66	85x64	$\leq 1.5\text{m}\Omega$
	140	85 x 51	$\leq 1.5\text{m}\Omega$		75	85 x 64	$\leq 1.5\text{m}\Omega$
	200	85 x 64	$\leq 1.0\text{m}\Omega$		85	85 x 64	$\leq 1.5\text{m}\Omega$
	265	85x 64	$\leq 1.0\text{m}\Omega$		<b>1200</b>	35	85 x 40
<b>800</b>	20	85 x 40	$\leq 3.0\text{m}\Omega$	50		85 x 51	$\leq 4\text{m}\Omega$
	50	85 x 40	$\leq 2.5\text{m}\Omega$	66		85 x 64	$\leq 1.5\text{m}\Omega$
	66	85 x 40	$\leq 1.5\text{m}\Omega$	85		85 x 64	$\leq 1.5\text{m}\Omega$
	85	85 x 40	$\leq 1.5\text{m}\Omega$	120		85 x 64	$\leq 1.5\text{m}\Omega$
	100	85 x 51	$\leq 1.5\text{m}\Omega$	<b>1400</b>	25	85 x 40	$\leq 4\text{m}\Omega$
	140	85 x 51	$\leq 1.5\text{m}\Omega$		35	85 x 51	$\leq 4\text{m}\Omega$
	200	85 x 64	$\leq 1.0\text{m}\Omega$		50	85 x 64	$\leq 4\text{m}\Omega$
	260	85 x 64	$\leq 1.0\text{m}\Omega$		66	85 x 79	$\leq 1.5\text{m}\Omega$
<b>900</b>	66	85 x 40	$\leq 1.5\text{m}\Omega$		75	85 x 79	$\leq 1.5\text{m}\Omega$
	100	85 x 51	$\leq 1.5\text{m}\Omega$	<b>1500</b>	25	85 x 40	$\leq 4\text{m}\Omega$
	140	85 x 64	$\leq 1.5\text{m}\Omega$		35	85 x 51	$\leq 4\text{m}\Omega$
	200	85 x 79	$\leq 1.0\text{m}\Omega$		50	85 x 64	$\leq 4\text{m}\Omega$
<b>1000</b>	50	85 x 40	$\leq 4.0\text{m}\Omega$		66	85 x 64	$\leq 1.5\text{m}\Omega$
	66	85 x 51	$\leq 1.5\text{m}\Omega$	<b>1600</b>	25	85 x 51	$\leq 4\text{m}\Omega$
	85	85 x 51	$\leq 1.5\text{m}\Omega$		35	85 x 51	$\leq 4\text{m}\Omega$
	100	85 x 64	$\leq 1.5\text{m}\Omega$		50	85 x 79	$\leq 4\text{m}\Omega$
	140	85 x 79	$\leq 1.5\text{m}\Omega$	<b>1800</b>	10	85 x 40	$\leq 4\text{m}\Omega$
	170	85 x 79	$\leq 1.8\text{m}\Omega$		20	85 x 51	$\leq 3\text{m}\Omega$
			30		85 x 64	$\leq 3\text{m}\Omega$	

### ADC-CPS type



### ADC-CPF Type





## ADVANCE DC LINK CAPACITORS (ADC-CAx series)

ADC-CAx series capacitors available in Aluminum can filled with self-extinguishing FR grade UL94VO resin. Available in both Screw and Flange terminals with bottom stud for mounting (optional)

### Specifications:

Capacitance Range	: 100 $\mu$ F to 1200 $\mu$ F
Rated Voltage range	: Upto 1320 Vdc
Tolerance	: $\pm$ 5% / $\pm$ 10%
Dielectric	: Metallised Polypropylene Film
Test voltage between terminals(10s)	: 1.3 x Vn DC
Insulation withstanding voltage between shorted terminals & case (60s)	: 2.5kVac , 50Hz
ESR	: As low as 0.7m $\Omega$
Temperature Range	: -40°C to +85°C
Climatic Category	: 55/60/56
Standard reference	: IEC 61071
RoHS Compliance	: Yes
Protection	: Protected / Unprotected

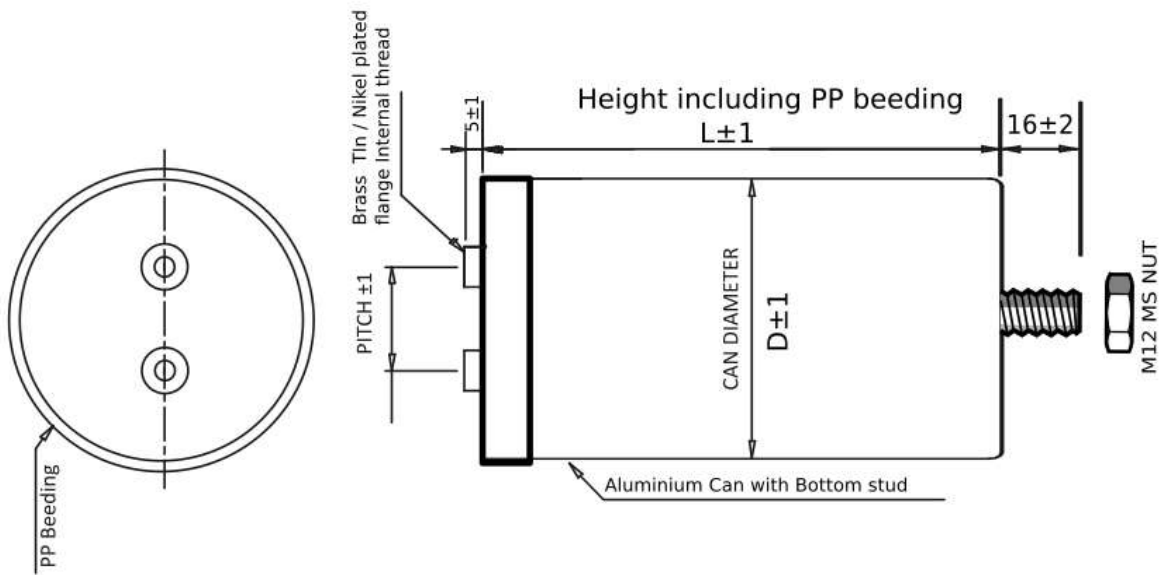
Marking

<p>ADVANCE Value , Tolerance Voltage , Current Part Code Mysore – India <b>DISCHARGE BEFORE HANDLING</b></p>
--

Dimensional Drawing: All Dimensions are in mm , Not to scale

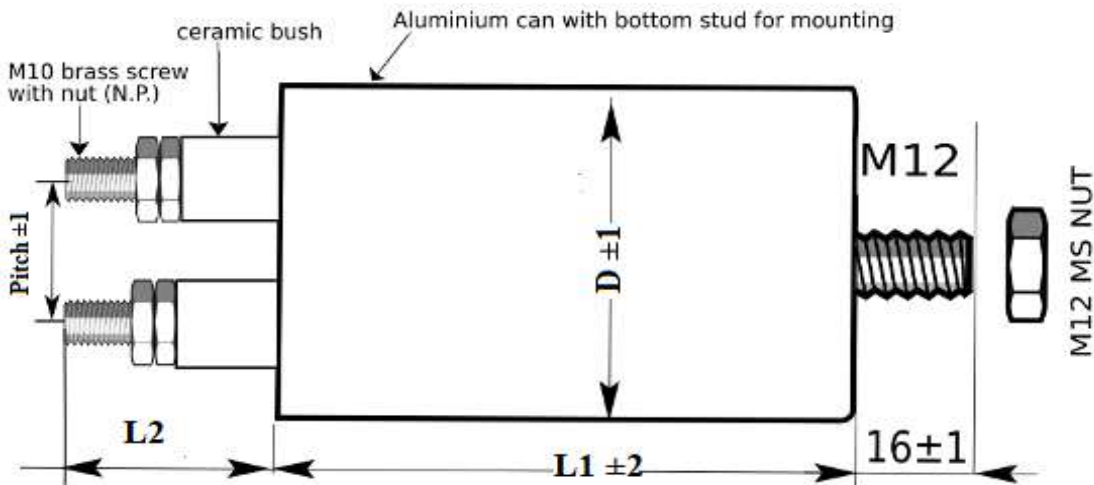
TYPE 1 ADC-CAF

Standard available Pitch = 35 & 50 mm



TYPE 2 ADC-CAS

Standard available Pitch = 35 & 50 m




**ADVANCE COMPONENTS  
AND INSTRUMENTS PVT. LTD.**

Mfrs. of PLASTIC FILM CAPACITORS & EMI NOISE FILTERS

Registered Office & Factory :  
3A-3A/1, Belavadi Indl.Area, Mysore - 570 018. INDIA



ISO 9001 : 2015  
ISO 13485 : 2016

Phone : +91 821 2402307, 2402301, 2403058

E-mail : [enquiries@advancecapacitors.com](mailto:enquiries@advancecapacitors.com)  
[advcaps@gmail.com](mailto:advcaps@gmail.com)

Website : [www.advance-capacitors.com](http://www.advance-capacitors.com)

GSTIN : 29AABCA1720D1ZA

Standard Capacitor Range :

Rated DC voltage VDC	Capacitance @ 1kHz	Current Max A	Case Dimensions (mm) D x L1	Case Dimensions (mm) D x L1
			ADC-CAF	ADC-CAS
900	300 $\mu$ F	40	100 x 133	100 x 130
	360 $\mu$ F	40	116 x 133	116 x 130
	400 $\mu$ F	40	116 x 133	116 x 130
	430 $\mu$ F	40	116 x 133	116 x 130
	475 $\mu$ F	60	136 x 133	136 x 130
	495 $\mu$ F	60	136 x 133	136 x 130
	540 $\mu$ F	60	136 x 133	136 x 130
	630 $\mu$ F	60	136 x 133	136 x 130
	610 $\mu$ F	60	136 x 133	136 x 130
	700 $\mu$ F	60	136 x 188	136 x 185
1320	140 $\mu$ F	25	116 x 98	116 x 95
	180 $\mu$ F	30	116 x 98	116 x 95
	200 $\mu$ F	40	116 x 98	116 x 95
	210 $\mu$ F	40	116 x 98	116 x 95
	260 $\mu$ F	45	116 x 98	116 x 95
	290 $\mu$ F	50	116 x 98	116 x 95
	310 $\mu$ F	52	116 x 98	116 x 95
	330 $\mu$ F	55	136 x 95	136 x 95
	360 $\mu$ F	58	116 x 183	116 x 180
	390 $\mu$ F	62	116 x 183	116 x 180
	400 $\mu$ F	65	116 x 183	116 x 180
	440 $\mu$ F	70	116 x 183	116 x 180
	480 $\mu$ F	72	116 x 183	116 x 180
	560 $\mu$ F	75	136 x 183	136 x 180
	590 $\mu$ F	80	136 x 183	136 x 180
630 $\mu$ F	90	136 x 183	136 x 180	

**ADVANCE COMPONENTS  
AND INSTRUMENTS PVT. LTD.**

Mfrs. of PLASTIC FILM CAPACITORS & EMI NOISE FILTERS

Registered Office & Factory :  
3A-3A/1, Belavadi Indl.Area, Mysore - 570 018. INDIA



ISO 9001 : 2015  
ISO 13485 : 2016

Phone : +91 821 2402307, 2402301, 2403058

E-mail : [enquiries@advancecapacitors.com](mailto:enquiries@advancecapacitors.com)  
[advcaps@gmail.com](mailto:advcaps@gmail.com)

Website : [www.advance-capacitors.com](http://www.advance-capacitors.com)

GSTIN : 29AABCA1720D1ZA



### ADVANCE DC LINK CAPACITORS (ADC-RPx series)

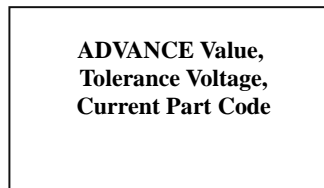
ADC-RPx series capacitors available in FR grade plastic rectangular box and filled with self-extinguishing FR grade UL94VO resin with 2-pin and 4-pin configuration.

#### Specifications:

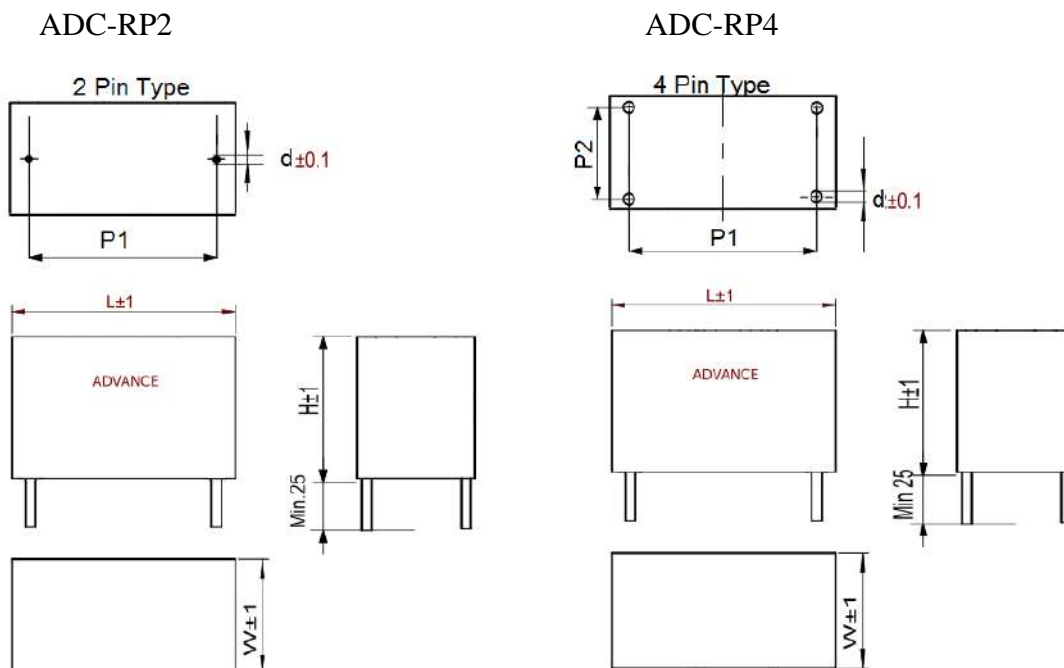
Capacitance Range	: 1 $\mu$ F to 50 $\mu$ F
Rated Voltage range	: 400Vdc to 1100Vdc
Tolerance	: $\pm$ 5% / $\pm$ 10%
Dielectric	: Metallised Polypropylene Film
Test voltage between terminals(10s)	: 1.3 x Vn DC
ESR	: As low as 10m $\Omega$
Temperature Range	: -40°C to +85°C
Climatic Category	: 40/85/21
Standard reference	: IEC 61071
RoHS Compliance	: Available



#### Marking



#### Dimensional Drawing: Dimensions(inmm) Not to Scale



Lead dia , d = 0.8 / 1.0 / 1.2 mm lead dia , Custom Pitch can be made as per requirements.

Standard Capacitor Range :

Rated DC Voltage	Capacitance @ 1kHz	Case Size in mm W x L X H ( $\pm 1$ )
400	4.7 $\mu$ F	17 x 42 x 19
500	10 $\mu$ F	19 x 43.5 x 36
	15 $\mu$ F	19 x 43.5 x 36
	20 $\mu$ F	35.5 x 57 x 50
	30 $\mu$ F	35.5 x 57 x 50
	50 $\mu$ F	35.5 x 57 x 50
	60 $\mu$ F	35.5 x 57 x 50
800	10 $\mu$ F	19 x 43.5 x 36
	15 $\mu$ F	19 x 43.5 x 36
	20 $\mu$ F	35.5 x 57 x 50
	30 $\mu$ F	35.5 x 57 x 50
	50 $\mu$ F	35.5 x 57 x 50
	60 $\mu$ F	35.5 x 57 x 50
1100	10 $\mu$ F	30 x 44 x 44



## ADVANCE COMPONENTS AND INSTRUMENTS PVT. LTD.

Mfrs. of PLASTIC FILM CAPACITORS & EMI NOISE FILTERS

Registered Office & Factory :

3A-3A/1, Belavadi Indl. Area, Mysore - 570 018, INDIA

Phone : +91 821 2402307, 2402301

E-mail : enquiries@advancecapacitors.com  
advcaps@gmail.com

Website : www.advance-capacitors.com

An ISO 9001 & ISO 13485 Company

GSTIN : 29AABCA1720D1ZA

### ADVANCE DC LINK CAPACITORS (ADC-AR series)

#### ADC-AR Series

ADC-AR series capacitors are axial round capacitor with UL grade plastic or wrap tape with Flange terminals

#### Specifications:

Capacitance	: 5 $\mu$ F to 400 $\mu$ F
Rated Voltage	: 400Vdc to 800Vdc
Tolerance	: $\pm$ 5%, $\pm$ 10%
Dielectric	: Metallised Polypropylene Film
Irms max	: 100A @25°C, @10kHz
Temperature Range	: -40°C to +85°C
Climatic Category	: 40/85/56

#### Marking

ADVANCE  
ADC-AR Value,  
Tolerance Voltage, Current  
Batch No / Date



Standard Range							
Rated Voltage VDC	Nominal Capacitance $\mu\text{F}$ @1kHz	Case Size <b>D</b> x <b>L</b> (mm)	Typical ESR @10kHz	Rated Voltage VDC	Nominal Capacitance $\mu\text{F}$ @1kHz	Case Size <b>D</b> x <b>L</b> (mm)	Typical ESR @10kHz
<b>700</b>	85	66 x 40	$\leq 4.0\text{m}\Omega$	<b>1100</b>	50	77x55	$\leq 5.0\text{m}\Omega$
	100	66x55	$\leq 2.5\text{m}\Omega$		66	77x65	$\leq 2.5\text{m}\Omega$
	140	77x55	$\leq 2.5\text{m}\Omega$		75	77x65	$\leq 2.5\text{m}\Omega$
	200	80x65	$\leq 2.0\text{m}\Omega$		85	80x65	$\leq 2.5\text{m}\Omega$
		265	80x65	$\leq 2.0\text{m}\Omega$	<b>1200</b>	35	77x40
<b>800</b>	20	42 x 40	$\leq 5.0\text{m}\Omega$	50		77x55	$\leq 5\text{m}\Omega$
	50	66x 40	$\leq 4.5\text{m}\Omega$	66		72x65	$\leq 2.5\text{m}\Omega$
	66	77x 40	$\leq 3.5\text{m}\Omega$	85		80x65	$\leq 2.5\text{m}\Omega$
	85	77 x 40	$\leq 3.5\text{m}\Omega$	120		80x65	$\leq 2.5\text{m}\Omega$
	100	77x55	$\leq 3.5\text{m}\Omega$	<b>1400</b>	25	77x40	$\leq 5\text{m}\Omega$
	140	80x55	$\leq 3.5\text{m}\Omega$		35	72x55	$\leq 5\text{m}\Omega$
	200	80x65	$\leq 3.0\text{m}\Omega$		50	72 x 65	$\leq 5\text{m}\Omega$
	260	80x65	$\leq 3.0\text{m}\Omega$		66	77 x 75	$\leq 2.5\text{m}\Omega$
					75	80 x 75	$\leq 2.5\text{m}\Omega$
<b>900</b>	66	77x 40	$\leq 3.5\text{m}\Omega$	<b>1500</b>	25	80x40	$\leq 5\text{m}\Omega$
	100	77 x 55	$\leq 3.5\text{m}\Omega$		35	80x55	$\leq 5\text{m}\Omega$
	140	77 x 65	$\leq 2.5\text{m}\Omega$		50	80 x 65	$\leq 5\text{m}\Omega$
	200	80 x 75	$\leq 2.0\text{m}\Omega$		66	82x75	$\leq 2.5\text{m}\Omega$
<b>1000</b>	50	80 x 40	$\leq 5.0\text{m}\Omega$	<b>1600</b>	25	85 x 40	$\leq 5\text{m}\Omega$
	66	72 x 55	$\leq 2.5\text{m}\Omega$		35	85 x 55	$\leq 5\text{m}\Omega$
	85	80 x 55	$\leq 2.5\text{m}\Omega$		50	80x65	$\leq 5\text{m}\Omega$
	100	77 x 65	$\leq 2.5\text{m}\Omega$	<b>1800</b>	10	85 x 40	$\leq 5\text{m}\Omega$
	140	80 x 75	$\leq 2.5\text{m}\Omega$				
	170	87 x 75	$\leq 2.8\text{m}\Omega$				

Schematic diagram:

